

SYSTEMATIC QUALITY

Underfloor distributor systems



Catalogue



Introduction/Infos

Pages 3-7

Introduction



Page 3

Selection/
Construction



Page 4

Standards and
applications



Page 5

Our model series
in comparison



Pages 6-7

PIAZZA VESUVIO PICCOLINO

Pages 8-14

PIAZZA
Overview



Page 8

PIAZZA
1000



Page 9

PIAZZA
700



Page 10

PIAZZA
540



Page 11

VESUVIO



Pages 12-13

PICCOLINO



Page 14

CAMPETTO

Pages 16-29

CAMPETTO
Overview



Pages 16-19

CAMPETTO S



Pages 20-21

CAMPETTO M



Pages 22-23

CAMPETTO L



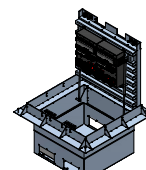
Pages 24-25

CAMPETTO XL



Pages 26-27

CAMPETTO XXL



Pages 28-29

PIAZZETTA MOBILE ROTRANT RETRANT

Pages 30-35

PIAZZETTA



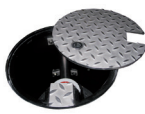
Pages 30-31

MOBILE



Pages 32-33

ROTRANT



Page 34

RETRANT



Page 35

Sash locks Applications

Pages 36-39

Sash locks



Pages 36-37

Applications



Pages 15, 38, 39

Introduction

Thanks to our Underfloor distributor system electrical power is now available everywhere without complicated temporary installations! As with all products, we give much importance to high-quality components and workmanship. We use for example only hard rubber distributor boxes with excellent technical characteristics.

Whether installed in- or outdoor, we provide customised solutions that will not disappoint you!

Benefits of our system

- electrical power is available anytime and just in seconds
- no power cable lying around, therefore no more stumbling
- temporary installations are no longer needed
- easy and quick closing after use
- automatic opening thanks to gas spring
- high security for operators, vehicles, pedestrians
- protection against vandalism thanks to lockable cover
- almost invisible when not in use
- maintenance-free and therefore no operating costs
- optional lid heating allows the opening even under severe winter conditions

Underfloor distributor systems can also provide the following connections:

- power
- water
- compressed air
- video, Audio
- telematics

Our services

- individual consultation
- proven product range
- tailor-made, customised solutions
- manufacturing from small to large quantities
- lifetime availability of spare parts
- technical drawing (if required in 3D)
- competent advice on installation

We use only high quality hard rubber distributor boxes and well proven components. This allows an impeccable, maintenance-free use for a many years.



Bern Federal court, Type PIAZZETTA

How do I make my selection?

The following questions are essential for the selection of the proper Underfloor distributor system:

1. What power connections are required?

Based on the number and Type of sockets and its protection, the size of the rubber distributor box is chosen. The rubber distributor is mounted in the lid of the underfloor power distributor. Contact us for more detailed information and clarifications.

2. Where is the underfloor power distributor system installed?

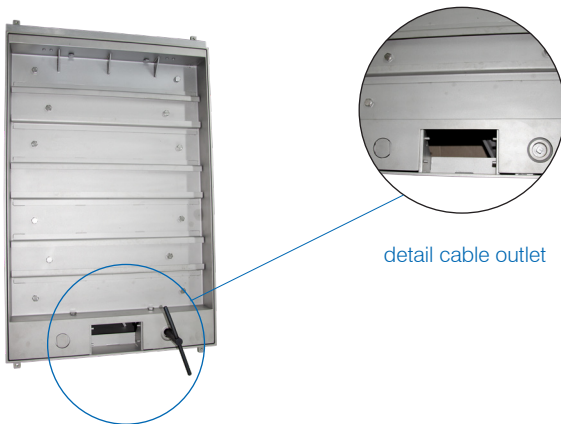
Information on indoor or outdoor installation and Type of use is helpful for the optimal design of the device.

3. Should the underfloor power distributor withstand vehicle traffic?

Each underfloor power distributor is designed for the specific needs. A system which needs to withstand vehicle traffic demands stronger construction as well as better foundation. The CAMPETTO family can be used up to 25 t. If it should be demanded that trucks up to 40 t can drive on the unit PIAZZA must be chosen.

4. Shall it be possible to close the lid with plugged-in devices?

Certain mounting depth is required if you want to use the underfloor distributor system with plugged in devices. This mounting depth is not always available e.g. if mounted on top of garage roofs.



detail cable outlet

5. Shall the lid be filled?

To be fitted in perfectly to its environment, a fillable lid is needed. There are almost no limits to the kind of filling (cobblestones, wood, asphalt). The gas springs of the opening and closing mechanism are chosen for the individual lid weight.

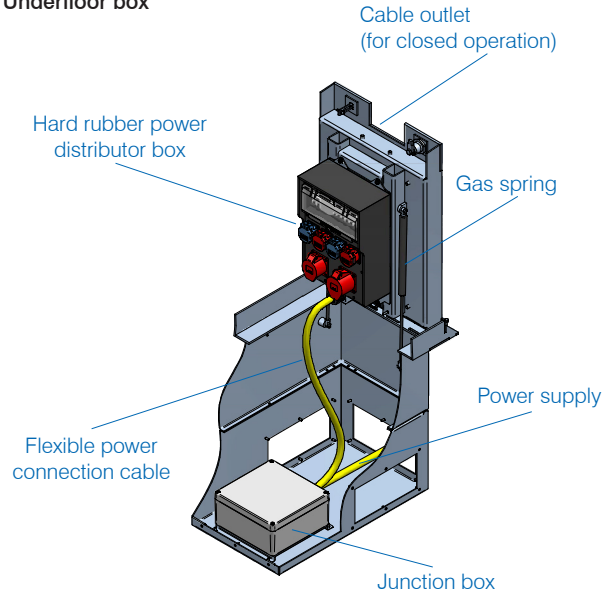
6. Is drainage ensured?

In order to protect the underfloor distributor systems from water damage, it is necessary to ensure drainage.

Building of underfloor system GIFAS

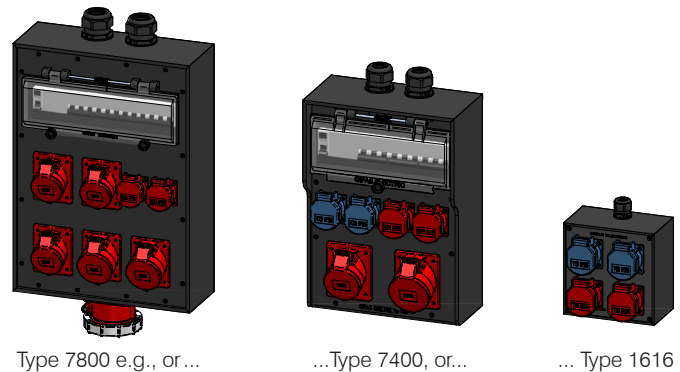
For a complete underfloor distribution, you need three components:

1. Underfloor box



2. Hard rubber power distributor boxes

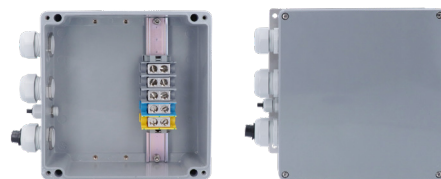
The hard rubber power distributor boxes which are used in our underfloor distributor systems have following features:

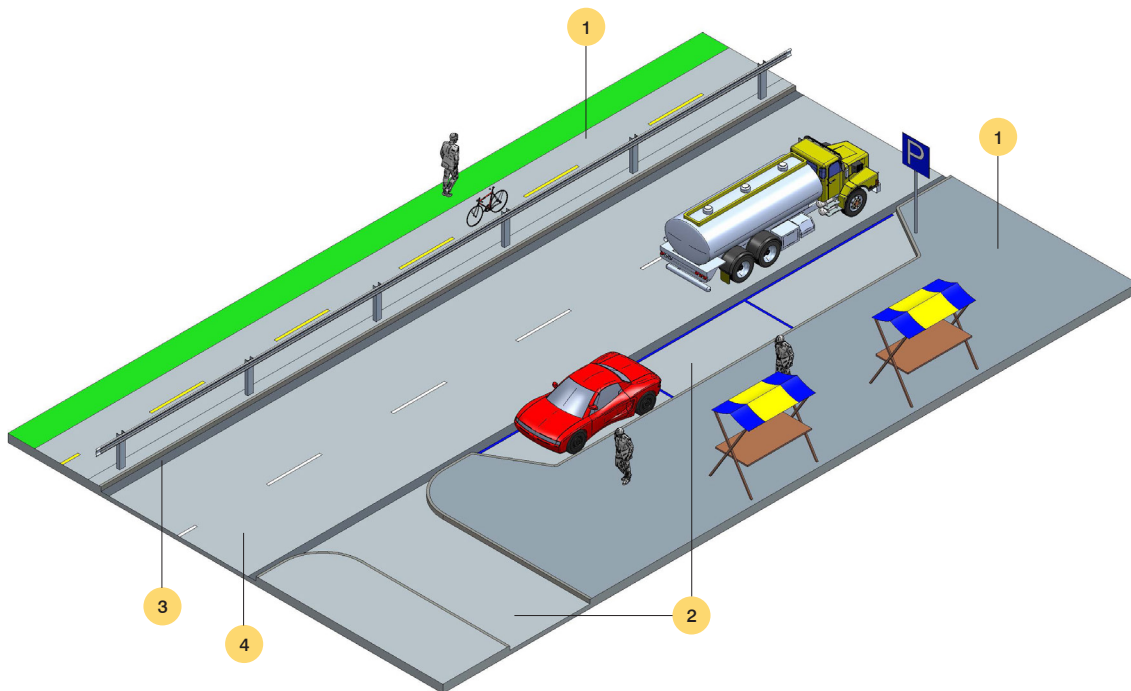








- high impact resilience
- temperature resistance (-45°C to +80°C)
- high resistance to chemicals
- resistance to aging
- electrical strength of 26'000V at a housing thickness of 10 mm

3. Junction boxes

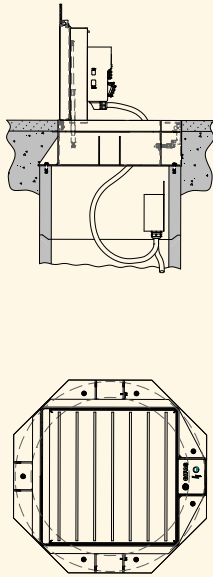
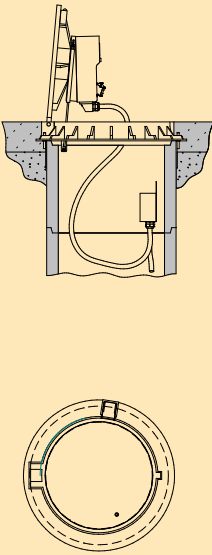

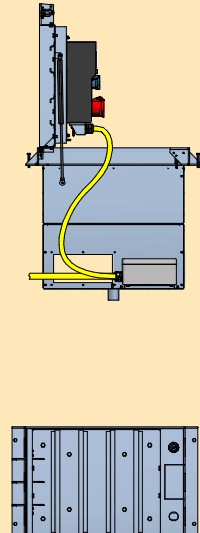
Each underfloor distributor system is supplied ready for installation, only power supply cable must be connected to the junction box.





Group	EN124	User zone	Test force	Load*	Wheel load
Group 1	A15	 Pedestrians / cyclists	15 kN	1.0t	0.6t
Group 2	B125	 Pedestrian areas / car parking areas	125 kN	8.3t	5.0t
Group 3	C250	 Roadside gutters	250 kN	16.6t	6.5t
Group 4	D400	 Roadways	400 kN	26.6t	11.0t
Group 5	E600	 Areas with a high wheel load such as port facilities, aircraft operation areas	600 kN	40.0t	16.0t
Group 6	F900	 Areas with a high wheel load such as aircraft operation areas	900 kN	60.0t	24.0t

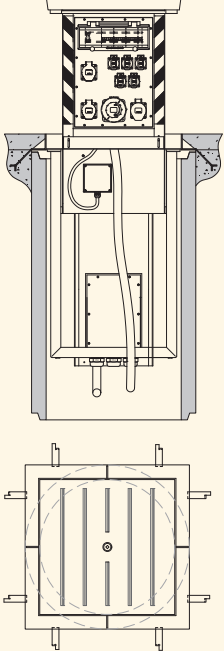
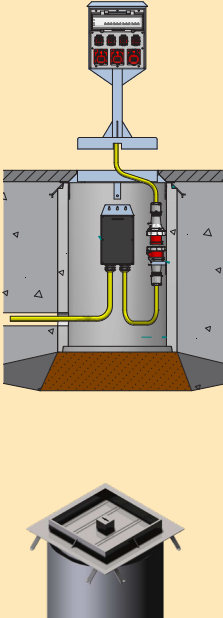
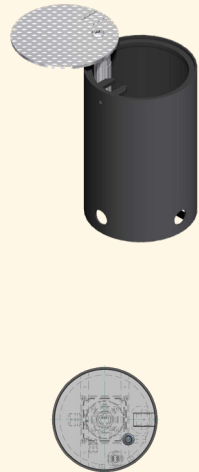
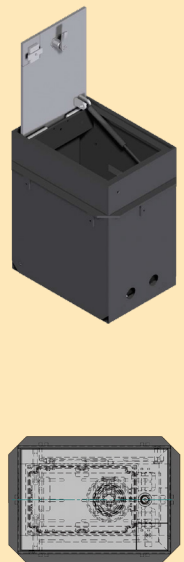
*The load corresponds to 2/3 of the test force. A standardised slight deformation may occur at this load depending on the clear width of the cover.

Models	PIAZZA P1 = PIAZZA 1000 P2 = PIAZZA 700 P3 = PIAZZA 540	VESUVIO	PICCOLINO	CAMPETTO
Specifications				
Max. load capacity	D400 / 40t (400 kN)	D400 / 40t (400 kN)	C250 / 25t (250 kN)	C250 / 25t (250 kN) D400 / 40t (400 kN)
Necessary installation depth	P1: min. 1'280 mm P2: min. 1'000 mm P3: min. 816 mm	min. 610 mm	min. 410 mm	S: 650 mm M: 650 mm L: 650 mm XL: 750 mm XXL: 760 mm
Lid *2	individually fillable	cast iron cover	chequered plate V2A *2	chequered plate V2A or individually fillable
Dimension cover	P1: 1'000×1'000×70 mm P2: 700×700×70 mm P3: 540×540×50 mm	Ø 605 mm	200×200 mm	S: 400×600 mm M: 480×700 mm L: 550×700 mm XL: 600×900 mm XXL: 1'060×1'010 mm
Operating mode / cover	closed *1	closed *1	closed *1	closed *1
Heating	Yes	–	–	on request
Quality	stainless steel V2A	steel casting	stainless steel V2A	stainless steel V2A
Further technical details see page(s)	p. 8 - 11	p. 12 - 13	p. 14	p. 16 - 29

*1 These models include a cable exit flap for the outlet of access lines in closed state.
Thus these models can be driven or walked over even in plugged mode.

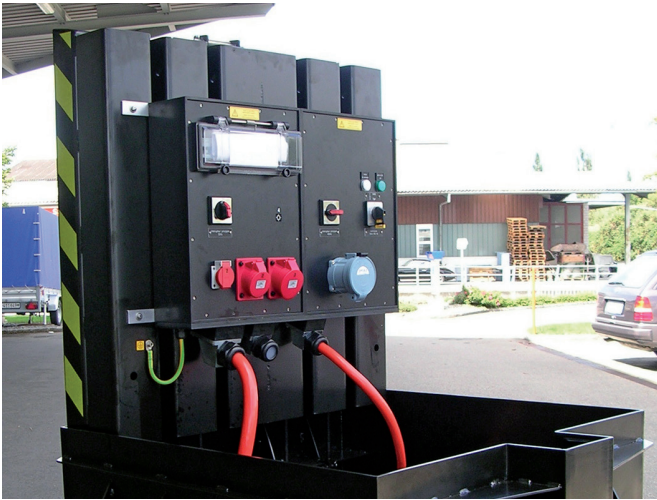
*2 Fillable version available on request

Our model series in comparison

Models	PIAZZETTA	MOBILE	ROTRANT	RETRANT
Specifications				
Max. load capacity	B125 / 12.5t (125 kN) or C250 / 25t (250 kN)	B125 / 12.5t (125 kN) or C250 / 25t (250 kN)	3t (30 kN)	3t (30 kN)
Necessary installation depth	min. 1'000 mm	min. 400 mm	min. 420 mm	min. 420 mm
Lid	individually fillable	project specific	chequered plate V2A	chequered plate V2A
Dimension cover	600×600 mm	individually	Ø271 mm	380×280 mm
Operating mode / cover	open with protection occurs	distributor placed on top	closed *1	closed *1
Heating	on request	–	–	–
Quality	stainless steel V2A	stainless steel V2A	stainless steel V2A	stainless steel V2A
Further technical details see page(s)	p. 30-31	p. 32-33	p. 34	p. 35

	PIAZZA 1000	PIAZZA 700	PIAZZA 540
Max. load capacity	D400 / 40t (400 kN)	D400 / 40t (400 kN)	D400 / 40t (400 kN)
Installation depth	min. 1'280 mm	min. 1'000 mm	min. 816 mm
Lid	individually filled	individually filled	individually filled
Dimension cover	1'000×1'000×70 mm	700×700×70 mm	540×540×50 mm
Operating mode / cover	closed *1	closed *1	closed *1
Cover heating	Yes	Yes	Yes
Quality	V2A	V2A	V2A
Housing	open at the bottom	open at the bottom	open at the bottom
Hard rubber distributor boxes	2×Type 7900	1×Type 7800	1×Type 3020
Built-in connector	Type 3800	Type 3020	Type 2516
Measurement concrete tube	H = 470 mm, NW 1'000 mm	H = 470 mm, NW 800 mm	H = 570 mm, NW 450 mm
Cable outlet	180×140 mm	180×140 mm	80×80 mm
Gas spring supports	Yes	Yes	Yes
GIFAS scope of delivery	The complete stainless steel construction with fillable manhole cover including electrical distribution and junction box is on a concrete ring (H = 470 mm, W 1'000 mm), assembled and delivered.	The complete stainless steel construction with fillable manhole cover including electrical distribution and junction box is on a concrete ring (H = 470 mm, W 1'000 mm), assembled and delivered.	The complete stainless steel construction with fillable manhole cover including electrical distribution and junction box is on a concrete ring (H = 570 mm, W 1'000 mm), assembled and delivered.
Performances to be done by customer (on site / on construction site)	<ul style="list-style-type: none"> – Filling of the tank lid – Provision of lower concrete ring – Pit cover is not watertight, so for sufficient drainage of the duct to provide on-site – Excavation work – Standardised technical and installation of construction – Built-in connector must be mounted on concrete pipe 	<ul style="list-style-type: none"> – Filling of the tank lid – Provision of lower concrete ring – Pit cover is not watertight, so for sufficient drainage of the duct to provide on-site – Excavation work – Standardised technical and installation of construction – Built-in connector must be mounted on concrete pipe 	<ul style="list-style-type: none"> – Filling of the tank lid – Provision of lower concrete ring – Pit cover is not watertight, so for sufficient drainage of the duct to provide on-site – Excavation work – Standardised technical and installation of construction – Built-in connector must be mounted on concrete pipe
Further technical details see page	p. 9	p. 10	p. 11

*1 These models include a cable exit flap for the outlet of access lines in closed state. Thus these models can be driven or walked over even in plugged mode.



PIAZZA 1000

Solid stainless steel construction approx. 1'000×1'000 mm, load capacity up to 400 kN, gas spring for easier opening, can be filled up with any material, custom-designed distributor boxes.

Filling up of the lid: The lid with a depth of 70 mm can be filled up with any material required to match the surrounding area.

Cover lock: The lock is fitted underneath the cable exit flap.

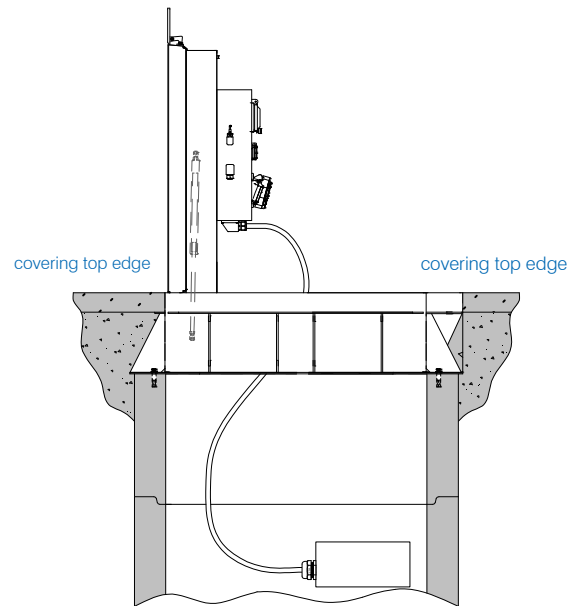
Heating: A self-regulating heating strip is positioned in the pit cover to ensure simple opening even in frost.

Cable-exit: 150×125 mm is integrated in the cover (flap opening 180×140 mm).

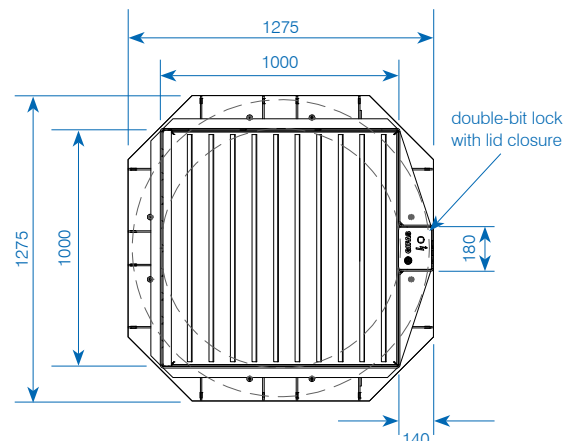
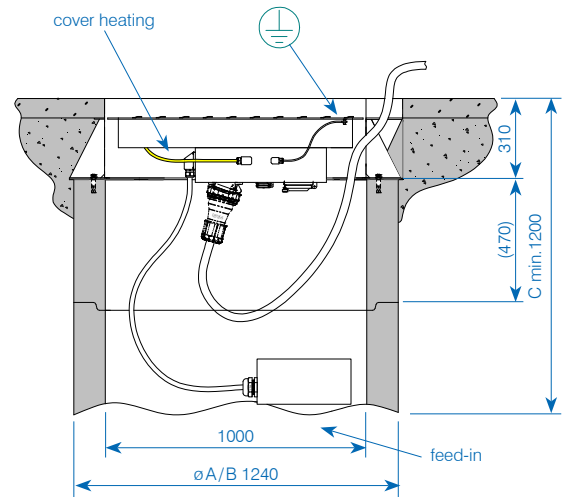
The customer has to provide a substructure conforming to standards, the correct assembly of the pit (load capacity 400 kN) and the relevant drainage.

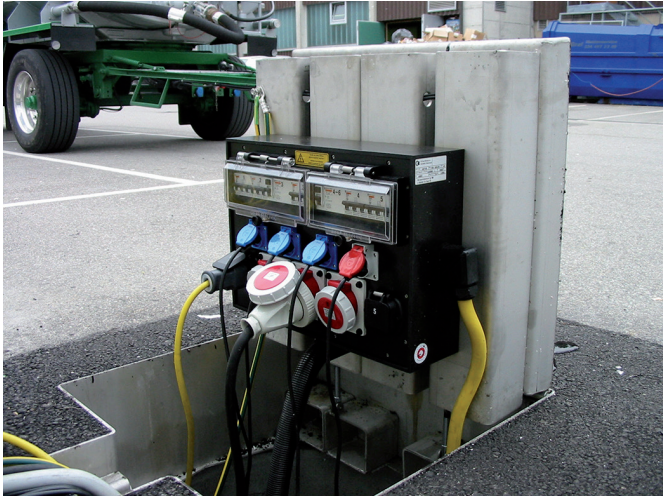
Item no.	Designation
116120	PIAZZA 1000 Underfloor distributor complete, incl. concrete tube, excl. distributor box
010851	Connection set 3020 for Underfloor distributor system with clamp web 5×16 mm ² , 2×cable glands M40
010852	Connection set 3800 for Underfloor distributor system with clamp web 5×35 mm ² , 2×cable glands M50

Side view, open



Side view, closed





PIAZZA 700

Solid stainless steel construction approx. 700×700 mm, load capacity up to 400 kN, gas spring for easier opening, can be filled up with any material, custom-designed distributor boxes.

Filling up of the lid: The lid with a depth of 70 mm can be filled up with any material required to match the surrounding area.

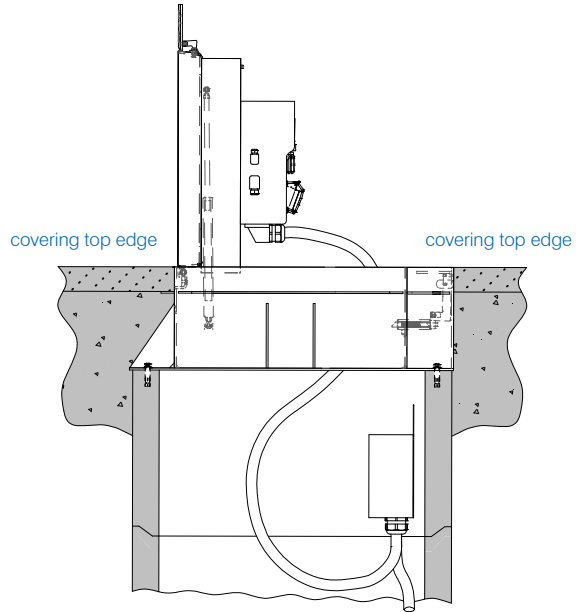
Cover lock: The lock is fitted underneath the cable exit flap.

Heating: A self-regulating heating strip is positioned in the pit cover to ensure simple opening even in frost.

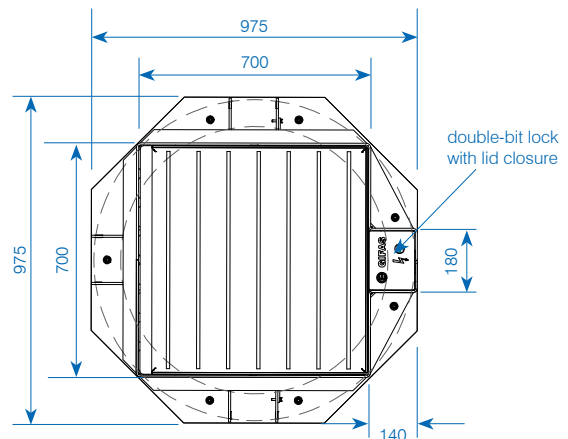
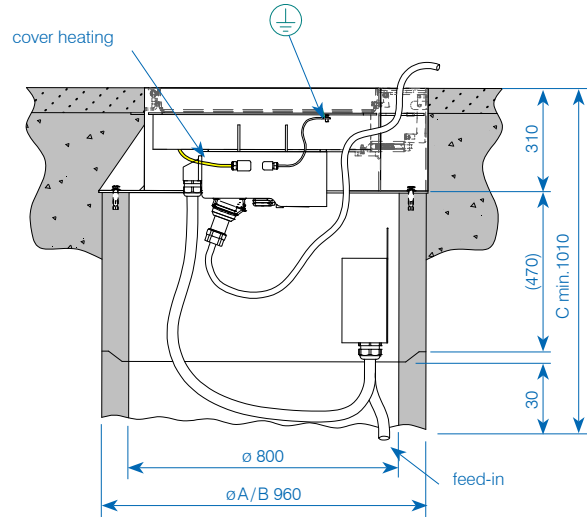
Cable-exit: 150×125mm is integrated in the cover (flap opening 180×140mm).

The customer has to provide a substructure conforming to standards, the correct assembly of the pit (load capacity 400 kN) and the relevant drainage.

Side view, open



Side view, closed



Item no.	Designation
011471	PIAZZA 700 Underfloor distributor complete, incl. concrete tube, excl. distributor box
010851	Connection set 3020 for Underfloor distributor system with clamp web 5×16 mm ² , 2×cable glands M40
010852	Connection set 3800 for Underfloor distributor system with clamp web 5×35 mm ² , 2×cable glands M50



PIAZZA 540

Solid stainless steel construction approx. 540×540 mm, load capacity up to 400 kN, gas spring for easier opening, can be filled up with any material, custom-designed distributor boxes.

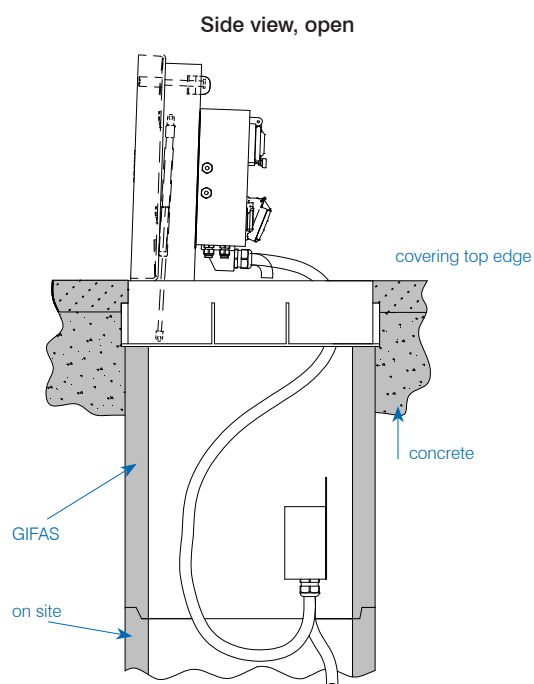
Filling up of the lid: The lid with a depth of 50 mm can be filled up with any material required to match the surrounding area.

Cover lock: The lock is fitted underneath the cable exit flap.

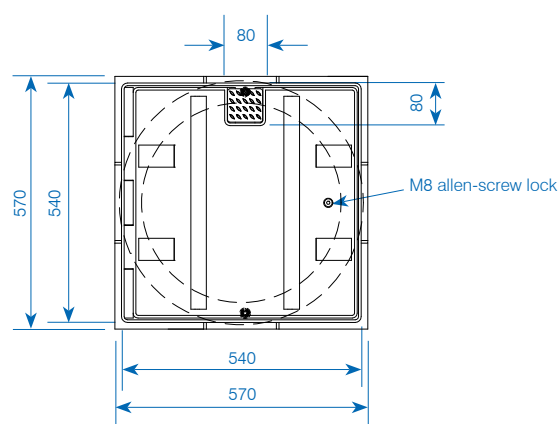
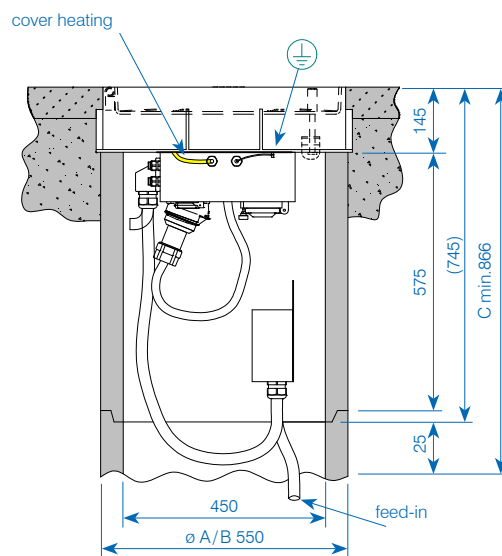
Heating: A self-regulating heating strip is positioned in the pit cover to ensure simple opening even in frost.

Cable-exit: 45×75mm is integrated in the cover (flap opening 80×80mm).

The customer has to provide a substructure conforming to standards, the correct assembly of the pit (load capacity 400 kN) and the relevant drainage.



Side view, closed



Item no.	Designation
014304	PIAZZA 540 Underfloor distributor complete, incl. concrete tube, excl. distributor box
010848	Connection set 2516 for Underfloor distributor system with clamp web 5×16mm ² , 2×cable glands M32



VESUVIO

Solid steel construction with round cover $\varnothing = 610\text{mm}$ and absorbing polyethylene insert, up to 400kN load capacity, gas springs for easier opening, modified cast-metal cover, distributor boxes according to customer requirements.

Cover lock: Is provided via an integrated spring bar lock.

Cover surface: Is a cast-metal surface and can not be filled up.

Connection cross-section: Maximum connection line $5 \times 16\text{mm}^2$ from connection socket to distributor box.

Cable-exit: Is integrated into the cast-metal frame $96 \times 64\text{mm}$

The customer has to provide a substructure conforming to standards and a correct assembly of the pit (load capacity 400kN and the relevant drainage).

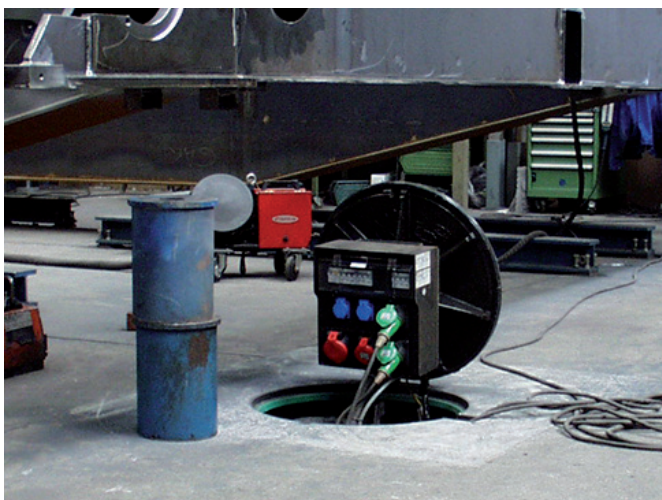
Item no.	Designation
✓ 020388	VESUVIO underfloor distributor incl. upper concrete tube , excl. power distributor/junction box
✓ 060668	VESUVIO underfloor distributor excl. concrete tubes , excl. power distributor/junction box

Accessories / spare parts	
✓ 173776	Locking device kit for VESUVIO
010848	Connection set 2516 for underfloor distributor system with clamp web $5 \times 10\text{mm}^2$, $2 \times$ cable glands M32
010851	Connection set 3020 for underfloor distributor system with clamp web $5 \times 16\text{mm}^2$, $2 \times$ cable glands M40

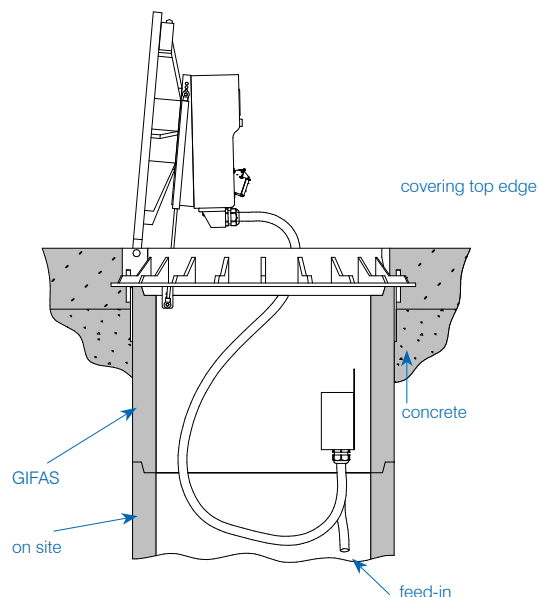
Max. load capacity	D400 / 40t (400kN)
Installation depth	min. 610mm
Lid	cast iron cover finish
Dimension cover	$\varnothing 605\text{mm}$
Operating mode / cover	closed *1
Cover heating	–
Quality	steel casting
Housing	open at the bottom
Hard rubber distributor boxes	Type 7700
Built-in connector	$5 \times 16\text{mm}^2$
Measurement concrete tube	H = 500mm, NW 600mm
Cable outlet	$96 \times 64\text{mm}$
Gas spring supports	Yes
GIFAS scope of delivery	The entire cast-metal pit cover, including distributor box and connection socket, is fitted and supplied on a concrete tube (H = 500mm, NW 600mm).
Performances to be done by customer (on site / on construction site)	<ul style="list-style-type: none"> – The lower concrete tube has to be provided by the customer. – The pit cover is not sealed against surface water, which means that sufficient drainage of the pit must be provided by the customer. – The excavation work and the correct assembly of the construction (GIFAS components included) conforming to standards must be carried out by the customer. – The connection socket is fitted onto the lower concrete tube by the customer.

*1 These models include a cable exit flap for the outlet of access lines in closed state. Thus these models can be driven or walked over even in plugged mode.

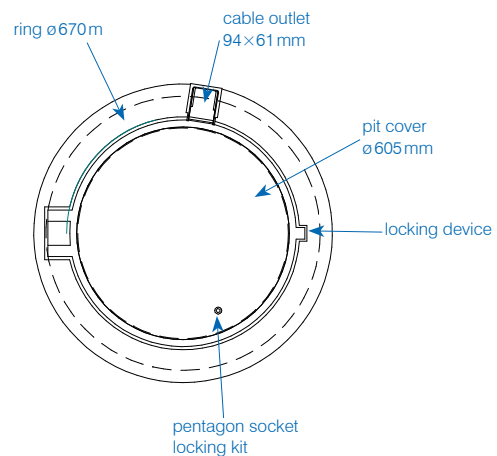
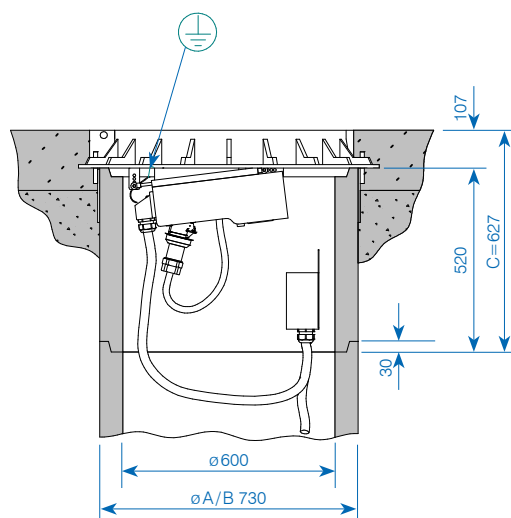
✓ From stock, offer subject to prior sale



Side view, open



Side view, closed





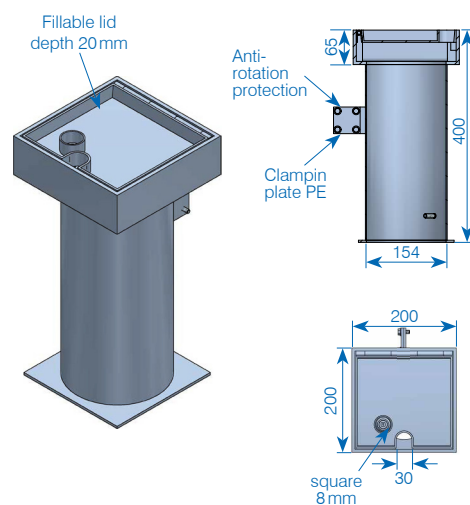
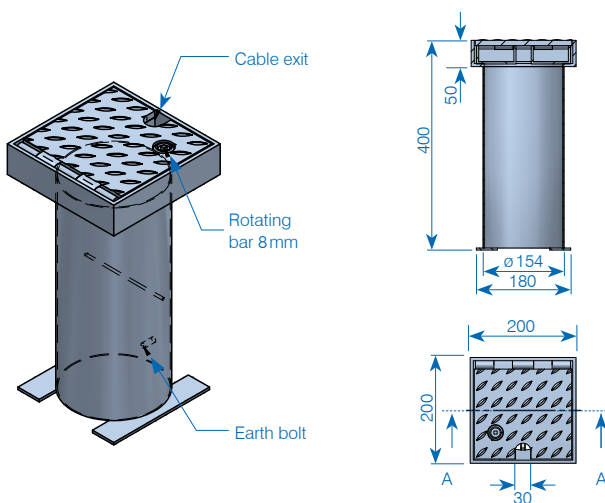
PICCOLINO

Solid stainless steel construction 200×200 mm, load capacity up to 250 kN, with tube Ø154 mm.

- The surface of the cover is made of chequered plate V2A (nonslip)
Slip resistance: R11 according to standard DIN EN 16165
- To lock with a recessed, cover-flat stand-off square 8 mm made of stainless steel V2A
- Cable exit flap for the connection line outlet up to Ø25 mm provided in the pit cover

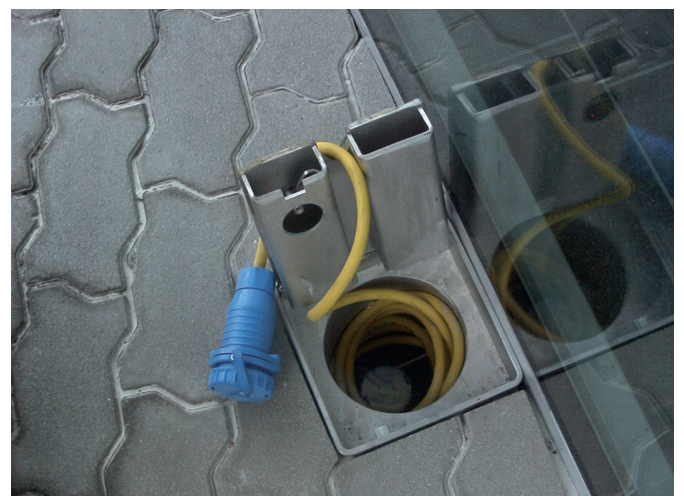
Item no.	Designation
✓ 165120	PICCOLINO with chequered plate lid, empty, 2 keys included
216458	PICCOLINO with fillable lid, empty, 2 keys included

Max. load capacity	C250 / 25t (250 kN)
Installation depth	min. 400 mm
Lid	chequered plate V2A/fillable
Dimension cover	200×200×50 mm
Operating mode / cover	closed *1
Cover heating	-
Quality	stainless steel V2A
Housing	open at the bottom
Hard rubber distributor box	-
Built-in connector	Can be fitted with: <ul style="list-style-type: none"> - 1 GIFAS solid rubber distributor box Type 2516, protection rating: IP65 - 1 built-in socket CEE 5×32A/400V in straight execution, IP67 - 1 safety contact built-in socket 230V, IP68
Cable outlet	Cable up to Ø25 mm
Gas spring supports	No
GIFAS scope of delivery	The stainless steel construction with shaft cover made of chequered plate V2A will be delivered ready for connection
Performances to be done by customer (on site / on construction site)	<ul style="list-style-type: none"> - Substructure of PICCOLINO has to be made along to standards - Proper assembly of the shaft (load 250 kN) - The pit cover is not sealed against surface water, which means that sufficient drainage of the pit must be provided by the customer



*1 These models include a cable exit flap for the outlet of access lines in closed state. Thus these models can be driven or walked over even in plugged mode.

✓ From stock, offer subject to prior sale



The CAMPETTO product range is modular and can therefore be combined as required. The basic components are the core of every CAMPETTO. These consist of the "metal box", i.e. the CAMPETTO incl. cover and frame, the GIFAS power distribution box and the junction box which are mounted on a mounting plate.

After the basic components have been selected, the options are chosen depending on the customer's specifications or the project requirements: i.e. with or without a fillable lid, the adapter plates for the incoming feeding lines, with or without frame heating, and whether the cover is filled or equipped with a chequered plate insert. The individual CAMPETTO is ready for delivery once all these components have been assembled.

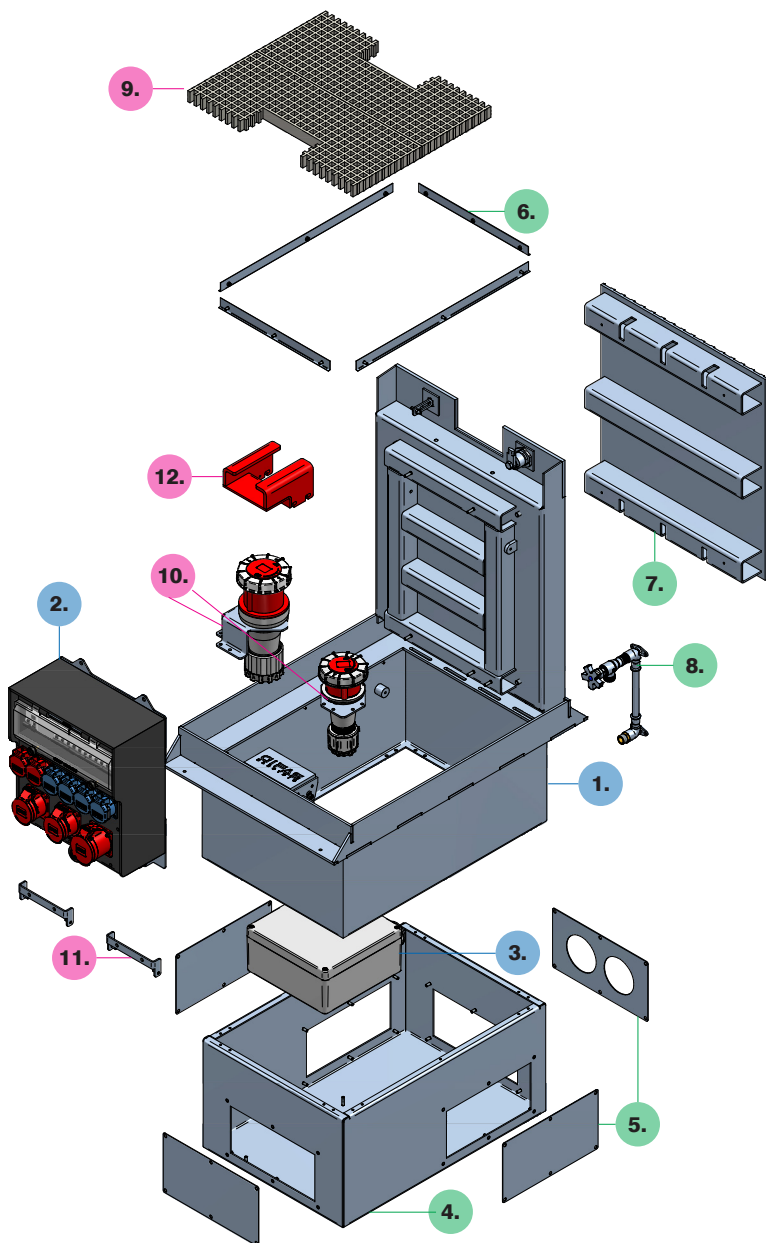
The available accessories can also be ordered and mounted after delivery: a step protection plate for additional safety; coupling brackets for plug-gable connections; mounting brackets for the cable flap and the cable protection are available separately.

The aim of the CAMPETTO series is maximum adaptability, perfect coverage of as many applications in the range C250/D400 as possible, as well as easy availability and short delivery times for each selection.

If you have opted for a CAMPETTO, proceed as follows:

1. Definition of the feeding lines, i.e. where the feedings (electricity, water, etc.) come from and the cross-sections; also if the CAMPETTO shall be equipped with a closed bottom part with drainage connection.
2. Definition of the cover type, i.e. with a fillable lid or a chequered plate insert.
3. Selection of the accessories:
 - Step protection plate
 - Mounting brackets for coupling connections
 - Mounting bracket for the cable flap
 - Cable protection (with or without bracket)
4. All accessories can be ordered and fitted after the installation of the CAMPETTO.

Please contact us regarding project specific dimensions and equipment requirements!



Base components

- 1) CAMPETTO with cover /frame
- 2) Power distribution box (on mounting plate)
- 3) Junction box (on mounting plate)

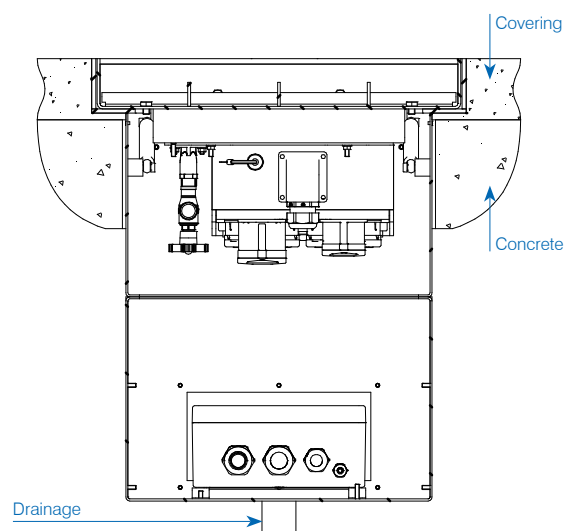
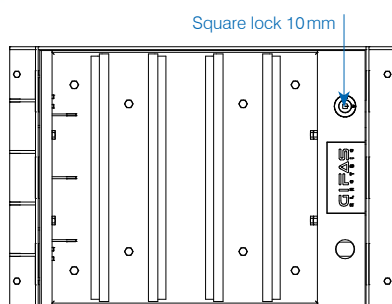
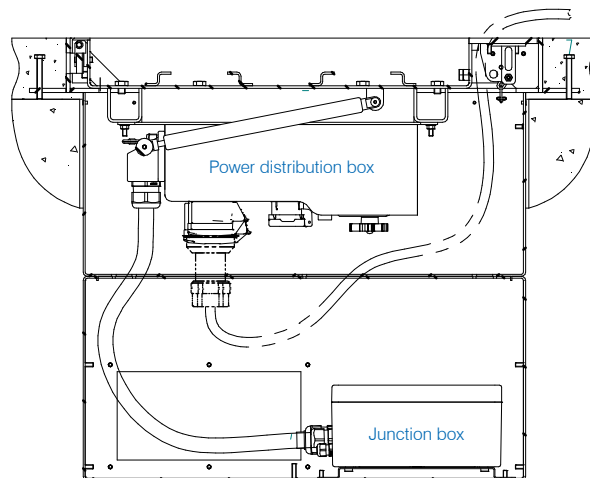
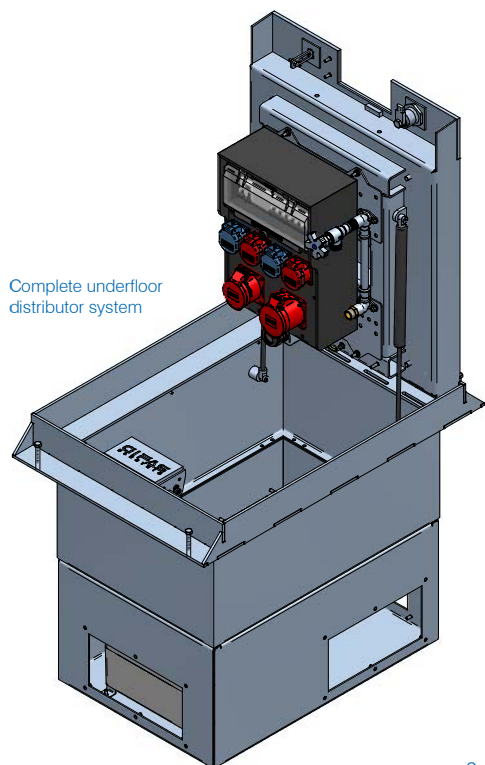
Optional components

- 4) Bottom part incl. drainage connection
- 5) Adapter plates for feeding lines
- 6) Heating cable/frame heating set
- 7) Chequered plate insert for cover slip resistance: R11 according to standard DIN EN 16165
- 8) Water connection, 3/4", stainless steel

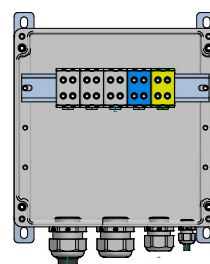
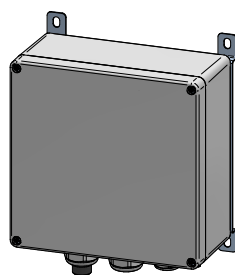
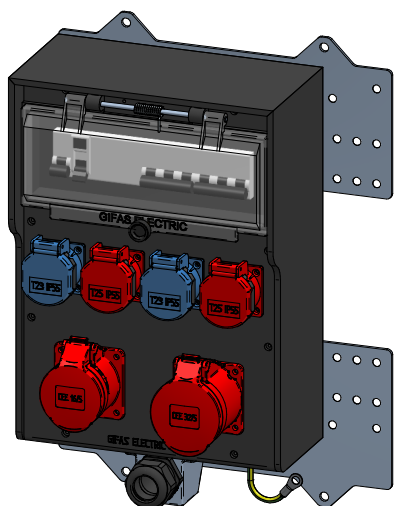
Accessories

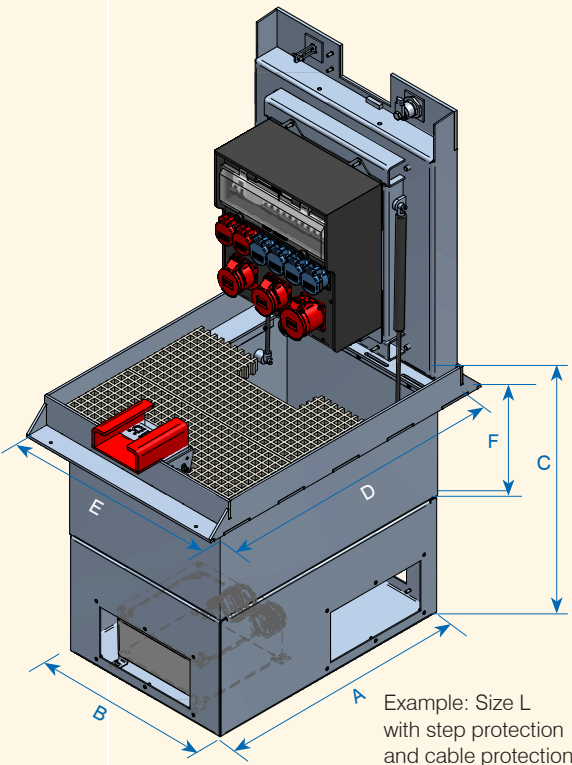
- 9) Step protection
Slip resistance: R13 according to DIN 51130
- 10) CEE63/5 or CEE125/5 coupling bracket
- 11) Mounting bracket for cable flap / cable protection
- 12) Cable protection

Detailed view based on example item no. 227025 (page 25)



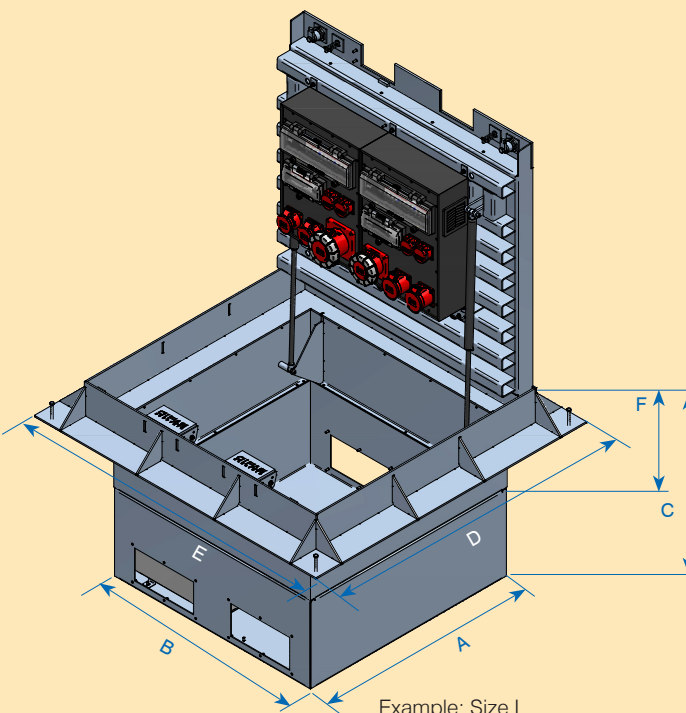
The customer must ensure that the substructure complies with the relevant standards, that the floor box is installed correctly and that there is appropriate drainage.



	CAMPETTO S	CAMPETTO M	CAMPETTO L	
Technical Data				
	Load capacity / max. load capacity	C250 / 25t (250 kN) D400 / 40t (400 kN)	C250 / 25t (250 kN) D400 / 40t (400 kN)	C250 / 25t (250 kN) D400 / 40t (400 kN)
	Required mounting depth with bottom part	650 mm	650 mm	650 mm
	Required mounting depth without bottom part	550 mm with CEE 32A 650 mm with CEE 63A	550 mm with CEE 32A 650 mm with CEE 63A	550 mm with CEE 32A 650 mm with CEE 63A
	Lid	chequered plate V2A / individually fillable	chequered plate V2A / individually fillable	chequered plate V2A / individually fillable
	Operating mode / lid	closed	closed	closed
	Cover closure type	Sash lock A2 reinforced / square lock 10 mm	Sash lock A2 reinforced / square lock 10 mm	Sash lock A2 reinforced / square lock 10 mm
	Cover heating	optional	optional	optional
	Quality	stainless steel V2A	stainless steel V2A	stainless steel V2A
	Further technical details see page	Pages 20 - 21	Pages 22 - 23	Pages 24 - 25

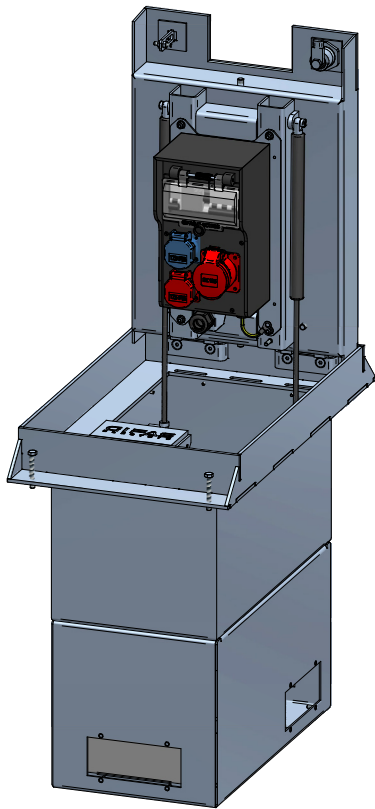
* D400 tested with filled lid (with concrete)

CAMPETTO with cover/ frame (1)	CAMPETTO S	CAMPETTO M	CAMPETTO L
Bottom part length (A)	550 mm	650 mm	650 mm
Bottom part width (B)	300 mm	380 mm	450 mm
Mounting depth (C)	650 mm	650 mm	650 mm
Frame length (D)	600 mm	700 mm	700 mm
Frame width (E)	400 mm	480 mm	550 mm
Mounting depth (F)	350 mm	350 mm	350 mm

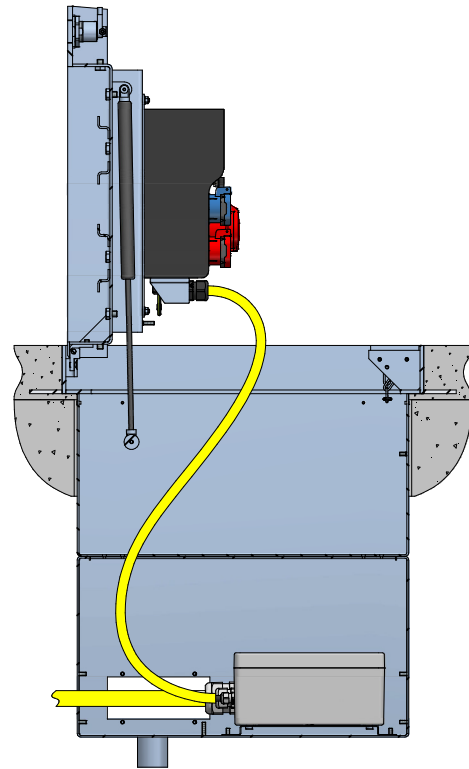
	CAMPETTO XL	CAMPETTO XXL
Technical Data	 <p>Example: Size L without step protection and cable protection</p>	
	Load capacity/ max. load capacity	C250 /25t (250 kN) D400 /40t (400 kN)
Required mounting depth with bottom part	750 mm	760 mm
Required mounting depth without bottom part	550 mm with CEE 32 A 650 mm with CEE 63 A 750 mm with CEE 125 A	560 mm with CEE 32 A 650 mm with CEE 63 A 760 mm with CEE 125 A
Lid	chequered plate V2A/ individually fillable	individually fillable (chequered plate not possible)
Operating mode /lid	closed	closed
Cover closure type	Sash lock A2 reinforced/ square lock 10 mm	Sash lock A2 reinforced/ square lock 10 mm
Cover heating	optional	optional
Quality	stainless steel V2A	stainless steel V2A
Further technical details see page	Pages 26-27	Pages 28-29

* D400 tested with filled lid (with concrete)

CAMPETTO with cover/ frame (1)	CAMPETTO XL	CAMPETTO XXL
Bottom part length (A)	850 mm	850 mm
Bottom part width (B)	500 mm	900 mm
Mounting depth (C)	750 mm	760 mm
Frame length (D)	900 mm	1'188 mm
Frame width (E)	600 mm	1'288 mm
Mounting depth (F)	400 mm	410 mm



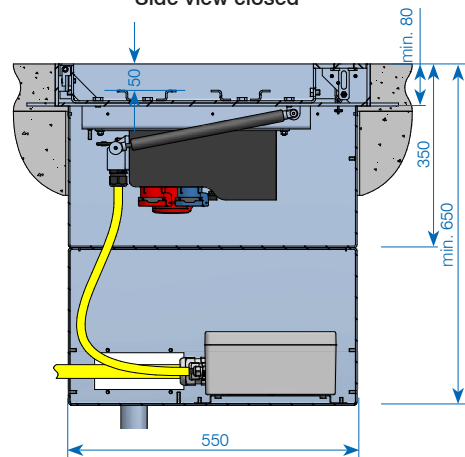
Side view open



CAMPETTO in size S

- The GIFAS hard rubber distribution box mounted on the cover can be equipped individually.
- The junction box is adapted to the connected loads and mounted in the bottom part.
- The mains supply can also be connected directly to the GIFAS hard rubber distribution box with a flexible cable.
- Design in V2A stainless steel.
- Quick and easy opening and closing, supported by gas springs.

Side view closed



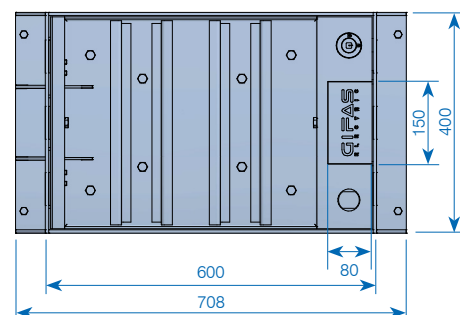
Scope of delivery

The CAMPETTO including electrical distribution box and junction box is supplied fully assembled and pre-wired.

Work to be carried out by the customer

- **The CAMPETTO is not surface water-proof, so adequate drainage must be provided by the customer**
- Excavation work
- Professional installation of the system in compliance with the standards

Cover view from above

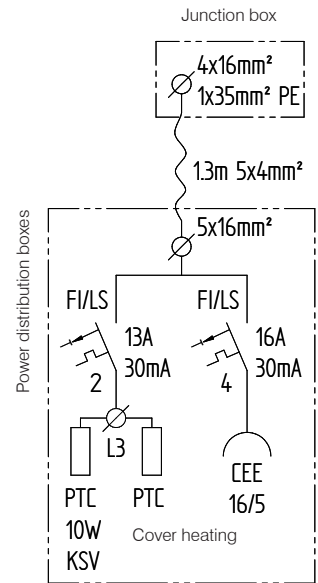
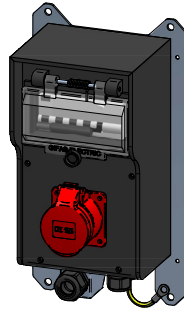
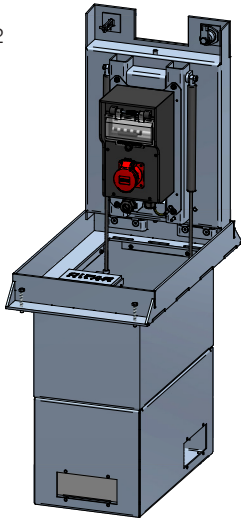


Applications



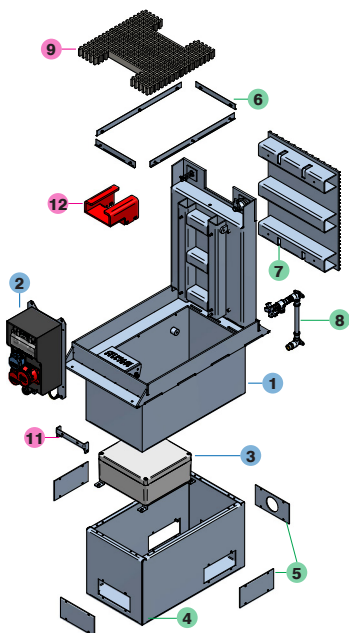
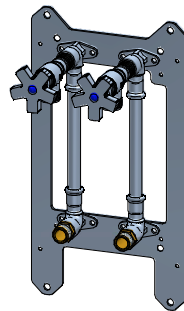
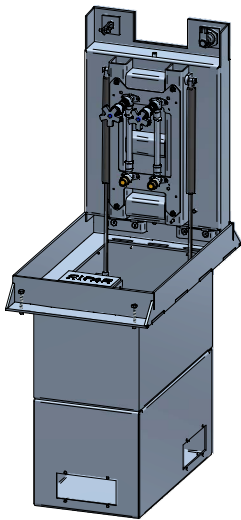
Example 1

Item no. 251982



Example 2

Item no. 247841



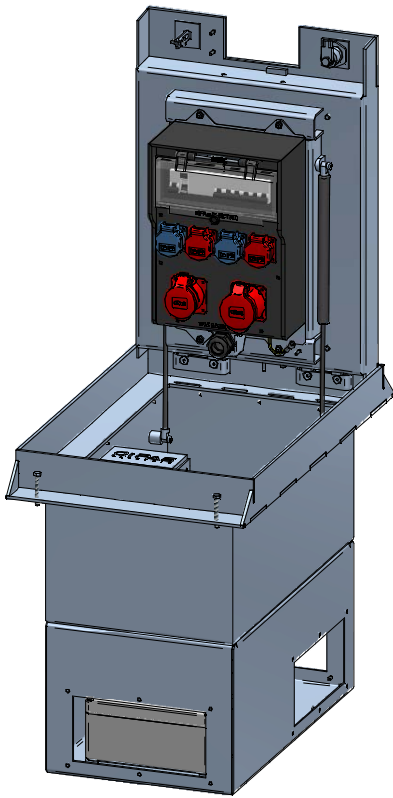
Assortiment

Item no.	Symbol output	Output	Line protection / Personal protection
251982		1xCEE 16/5	max. pre-fuse 40A
247841			

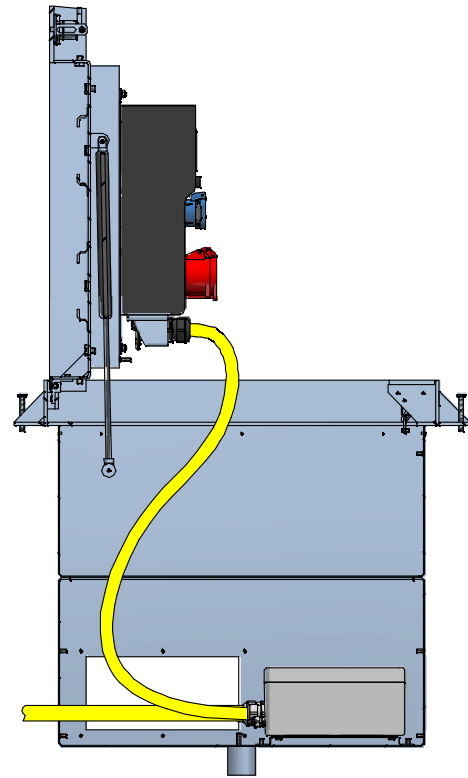
Accessories

No.	Item no.	Designation
✓ 9	255376	Step protection
✓ 11	209412	Mounting bracket (cable flap / cable protection)
✓ 12	209416	Cable protection (option)

✓ Ab Lager, Zwischenverkauf vorbehalten



Side view open



CAMPETTO in size M

- The GIFAS hard rubber distribution box mounted on the cover can be equipped individually.
- The junction box is adapted to the connected loads and mounted in the bottom part.
- The mains supply can also be connected directly to the GIFAS hard rubber distribution box with a flexible cable.
- Design in V2A stainless steel.
- Quick and easy opening and closing, supported by gas springs.

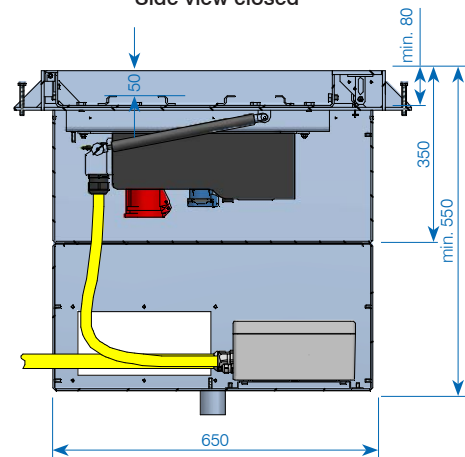
Scope of delivery

The CAMPETTO including electrical distribution box and junction box is supplied fully assembled and pre-wired.

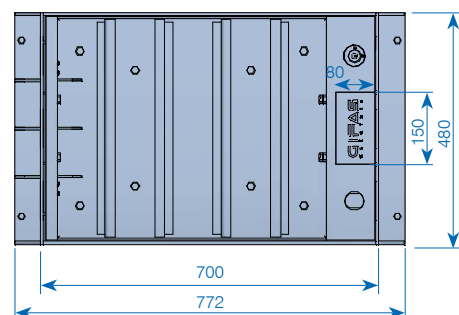
Work to be carried out by the customer

- **The CAMPETTO is not surface water-proof, so adequate drainage must be provided by the customer**
- Excavation work
- Professional installation of the system in compliance with the standards

Side view closed



Cover view from above

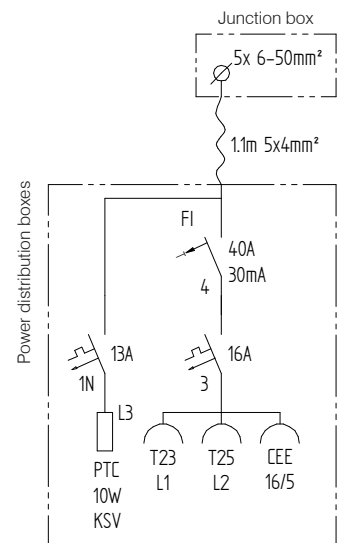
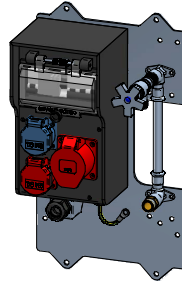
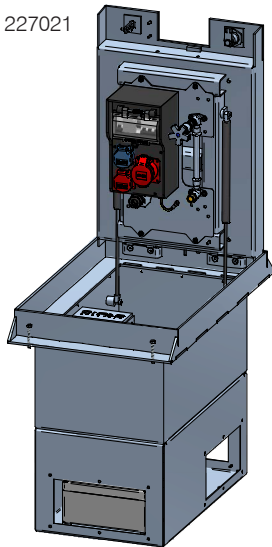


Applications



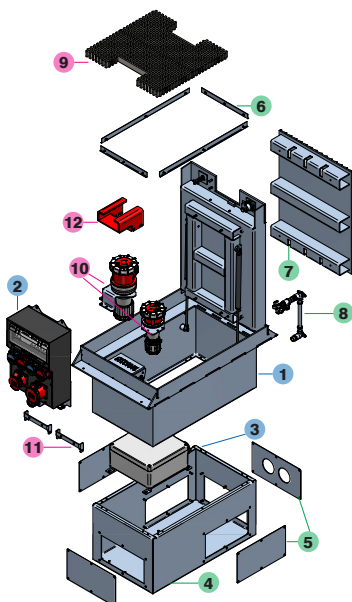
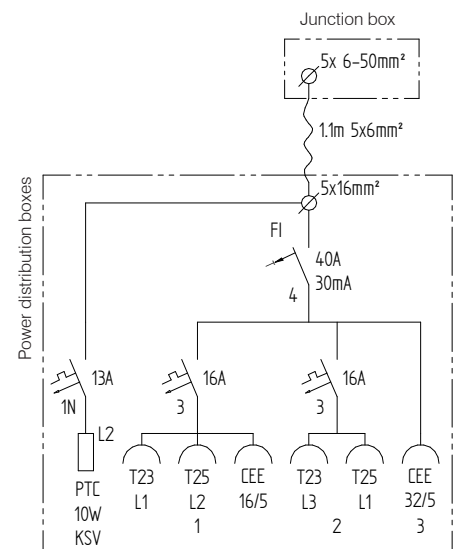
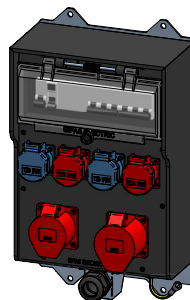
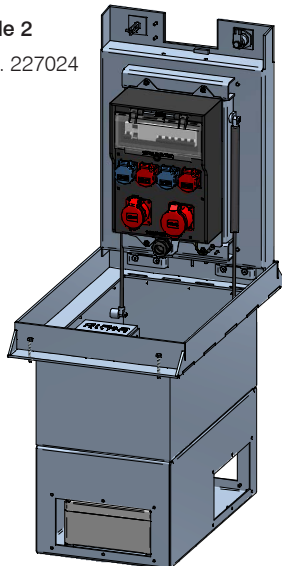
Example 1

Item no. 227021



Example 2

Item no. 227024



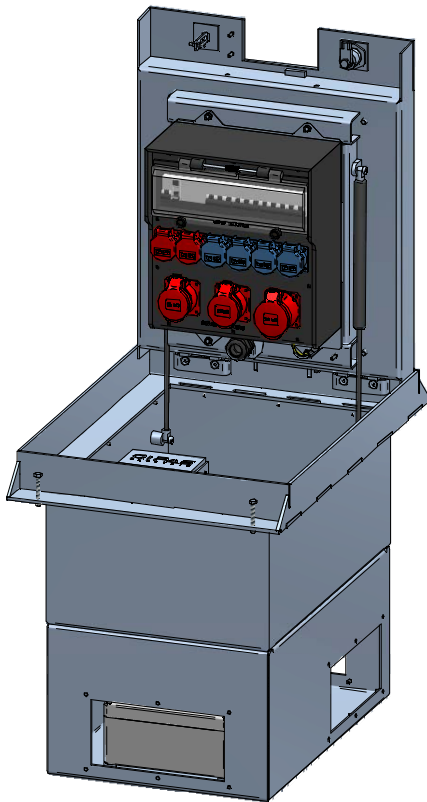
Assortiment

Item no.	Symbol output	Output	Line protection / Personal protection
227021		1 × T23 1 × T25 1 × CEE 16/5	max. pre-fuse 32A
227024		2 × T23 2 × T25 1 × CEE 16/5 1 × CEE 32/5	max. pre-fuse 32A

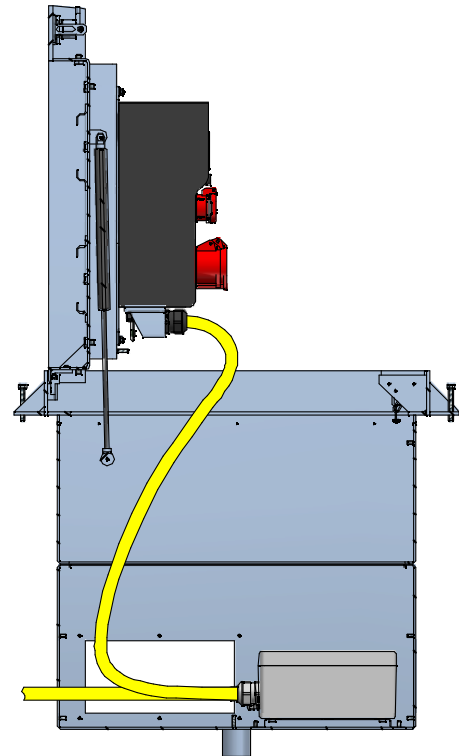
Accessories

No.	Item no.	Designation
✓ 9	255377	Step protection
✓ 10	224822	CEE63 coupling bracket
✓ 10	224823	CEE125 coupling bracket
✓ 11	209412	Mounting bracket (cable flap / cable protection)
✓ 12	209416	Cable protection (option)

✓ From stock, offer subject to prior sale



Side view open



CAMPETTO in size L

- The GIFAS hard rubber distribution box mounted on the cover can be equipped individually.
- The junction box is adapted to the connected loads and mounted in the bottom part.
- The mains supply can also be connected directly to the GIFAS hard rubber distribution box with a flexible cable.
- Design in V2A stainless steel.
- Quick and easy opening and closing, supported by gas springs.

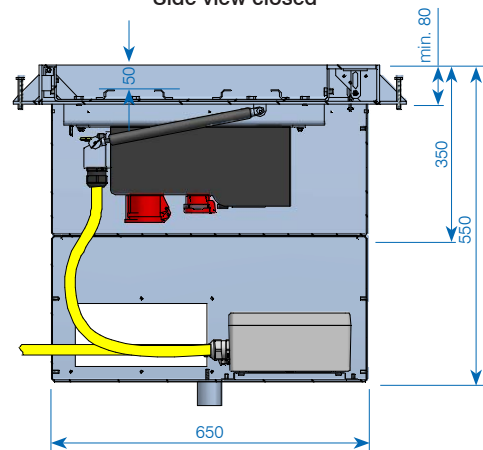
Scope of delivery

The CAMPETTO including electrical distribution box and junction box is supplied fully assembled and pre-wired.

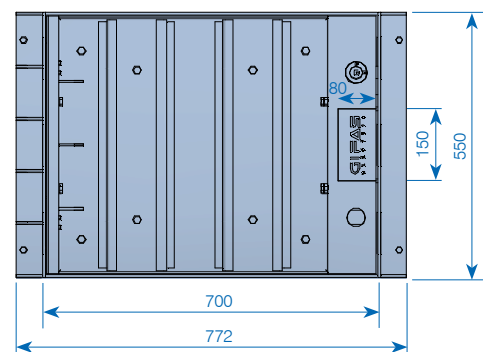
Work to be carried out by the customer

- **The CAMPETTO is not surface water-proof, so adequate drainage must be provided by the customer**
- Excavation work
- Professional installation of the system in compliance with the standards

Side view closed



Cover view from above

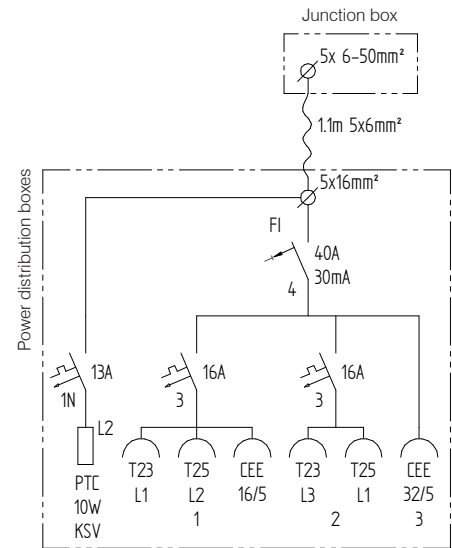
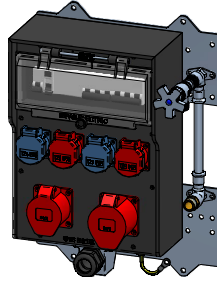
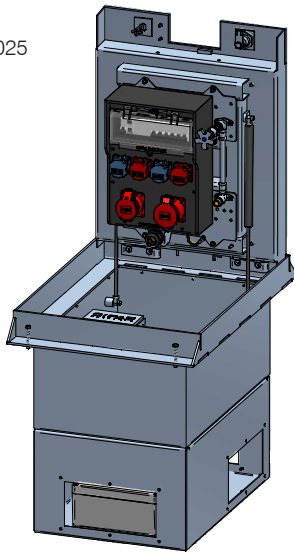


Applications



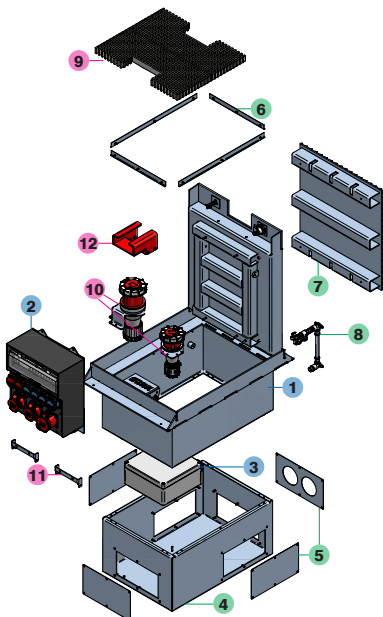
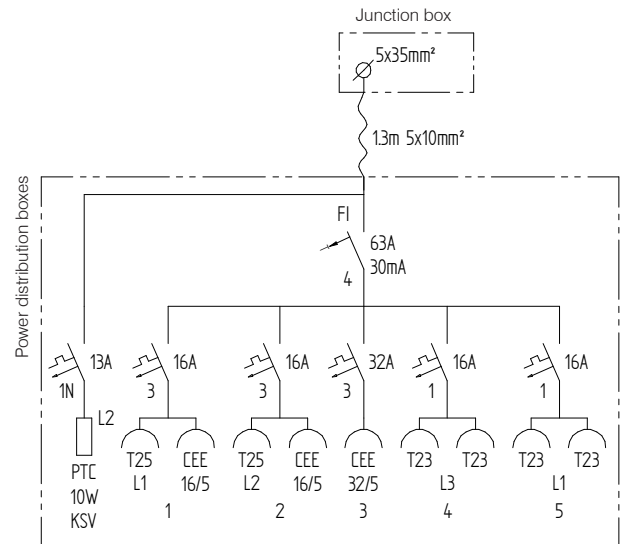
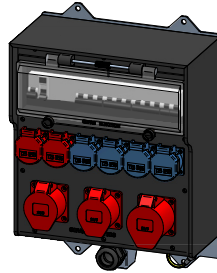
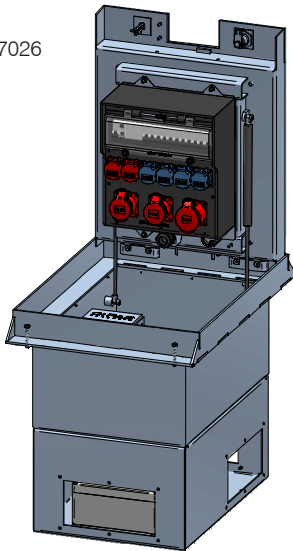
Example 1

Item no. 227025



Example 2

Item no. 227026



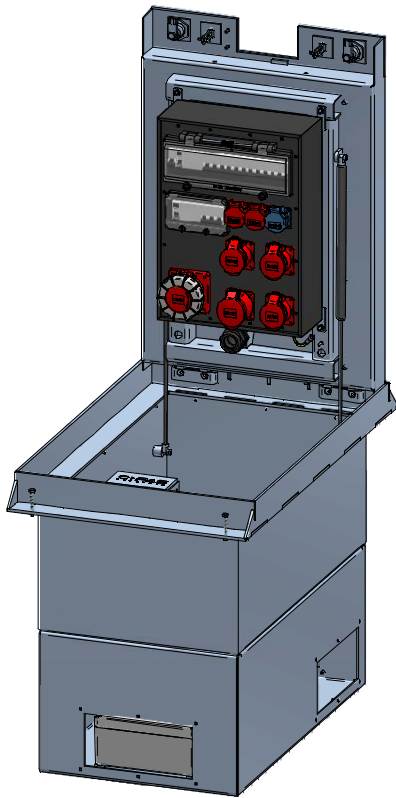
Assortment

Item no.	Symbol output	Output	Line protection/ Personal protection
227025		2×T23 2×T25 1×CEE 16/5 1×CEE 32/5	max. pre-fuse 32A
227026		4×T23 2×T25 2×CEE 16/5 1×CEE 32/5	max. pre-fuse 63A

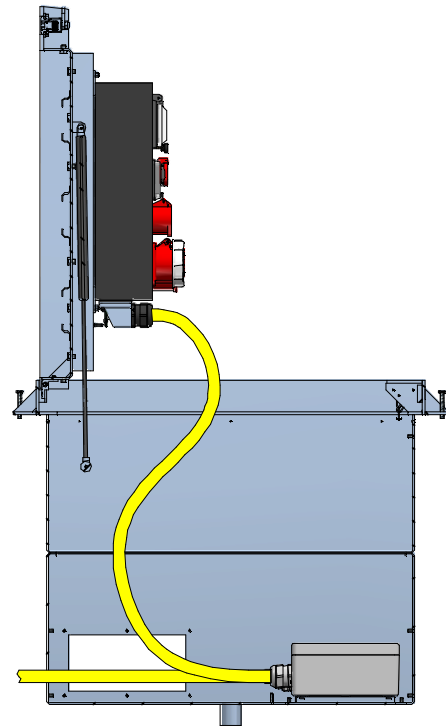
Accessories

No.	Item no.	Designation
✓ 9	255378	Step protection
✓ 10	224822	CEE63 coupling bracket
✓ 10	224823	CEE125 coupling bracket
✓ 11	209412	Mounting bracket (cable flap/cable protection)
✓ 12	209416	Cable protection (option)

✓ From stock, offer subject to prior sale

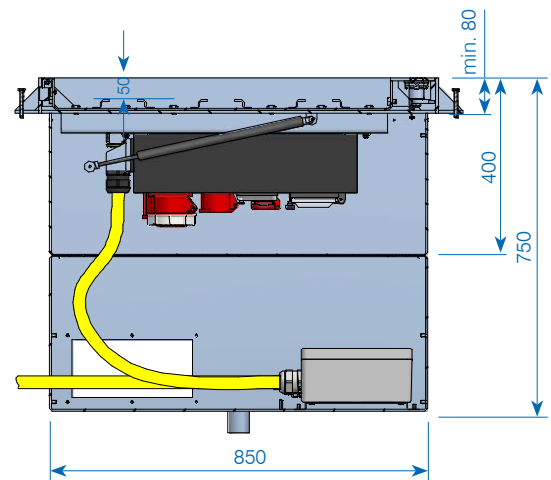


Side view open



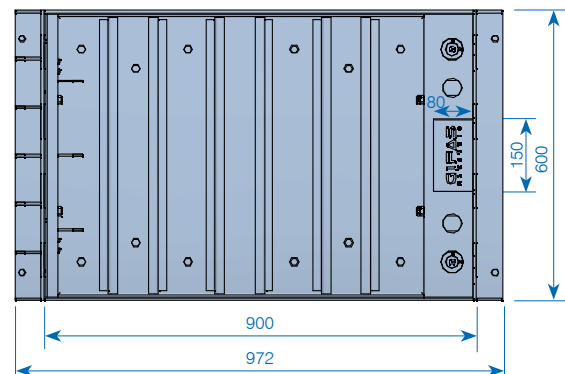
CAMPETTO in size XL

- The GIFAS hard rubber distribution box mounted on the cover can be equipped individually.
- The junction box is adapted to the connected loads and mounted in the bottom part.
- The mains supply can also be connected directly to the GIFAS hard rubber distribution box with a flexible cable.
- Design in V2A stainless steel.
- Quick and easy opening and closing, supported by gas springs.



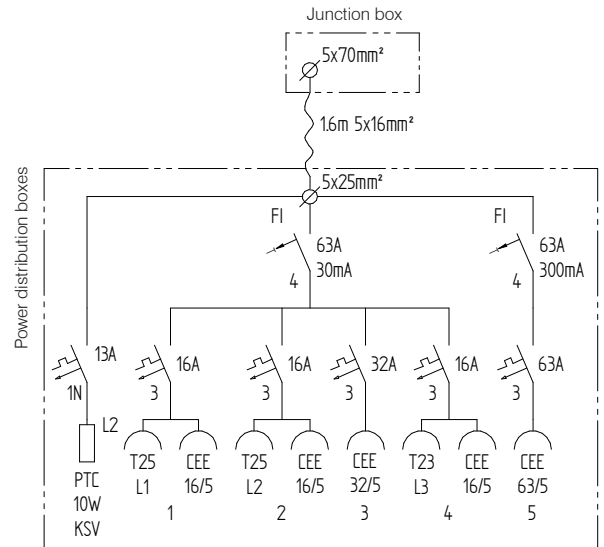
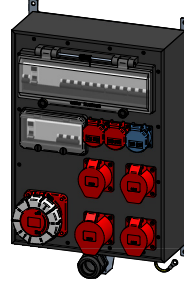
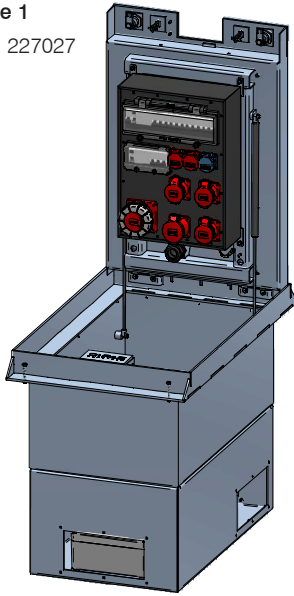
Scope of delivery	The CAMPETTO including electrical distribution box and junction box is supplied fully assembled and pre-wired.
Work to be carried out by the customer	<ul style="list-style-type: none"> - The CAMPETTO is not surface water-proof, so adequate drainage must be provided by the customer - Excavation work - Professional installation of the system in compliance with the standards

Applications



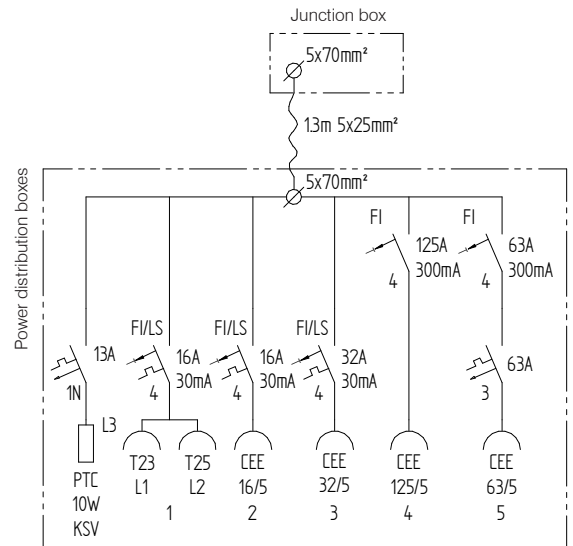
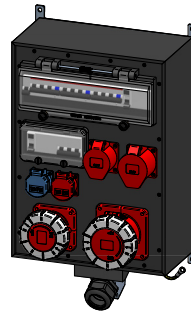
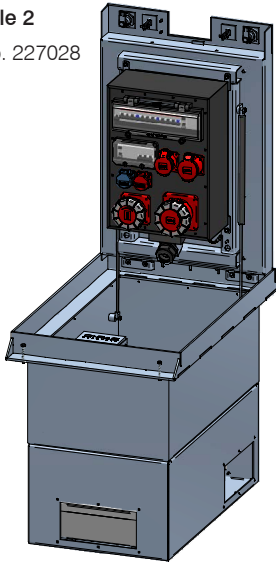
Example 1

Item no. 227027



Example 2

Item no. 227028



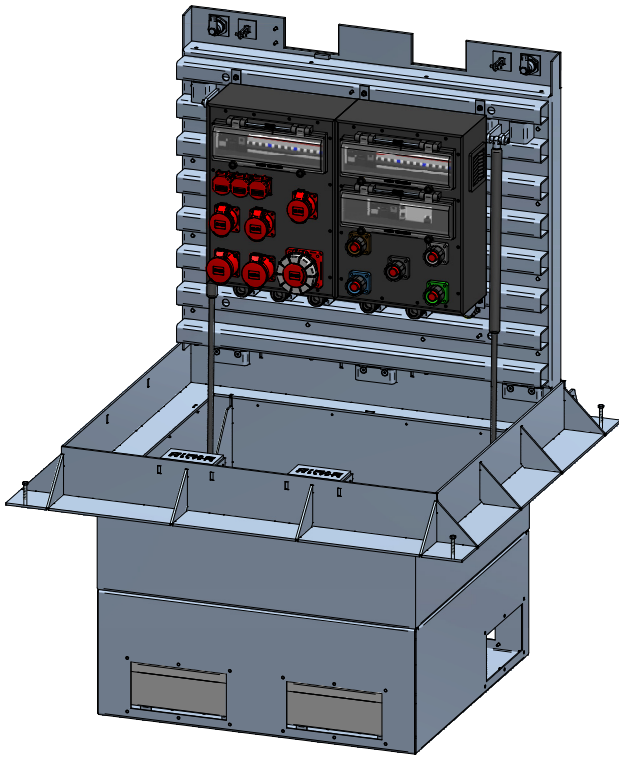
Assortiment

Item no.	Symbol output	Output	Line protection/ Personal protection
227027		1×T23 2×T25 3×CEE 16/5 1×CEE 32/5 1×CEE 63/5	max. pre-fuse 80A
227028		1×T23 1×T25 1×CEE 16/5 1×CEE 32/5 1×CEE 63/5 1×CEE 125/5	max. pre-fuse 125A

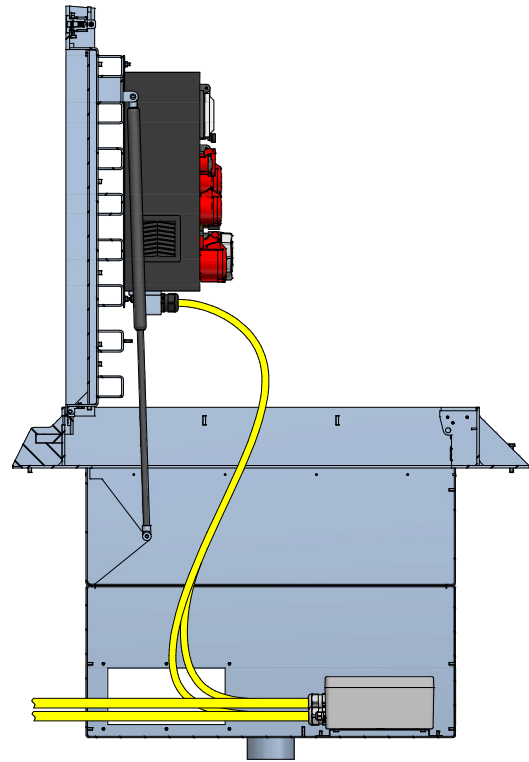
Accessories

No.	Item no.	Designation
✓ 9	255379	Step protection
✓ 10	224822	CEE63 coupling bracket
✓ 10	224823	CEE125 coupling bracket
✓ 11	209412	Mounting bracket (cable flap/cable protection)
✓ 12	209416	Cable protection (option)

✓ From stock, offer subject to prior sale

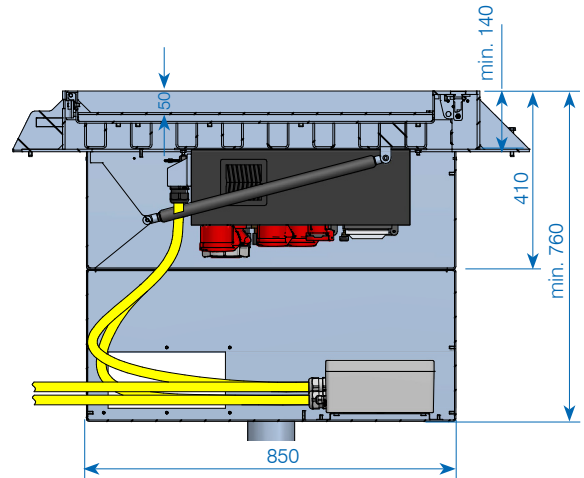


Side view open



CAMPETTO in size XL

- The GIFAS hard rubber distribution box mounted on the cover can be equipped individually.
- The junction box is adapted to the connected loads and mounted in the bottom part.
- The mains supply can also be connected directly to the GIFAS hard rubber distribution box with a flexible cable.
- Design in V2A stainless steel.
- Quick and easy opening and closing, supported by gas springs.



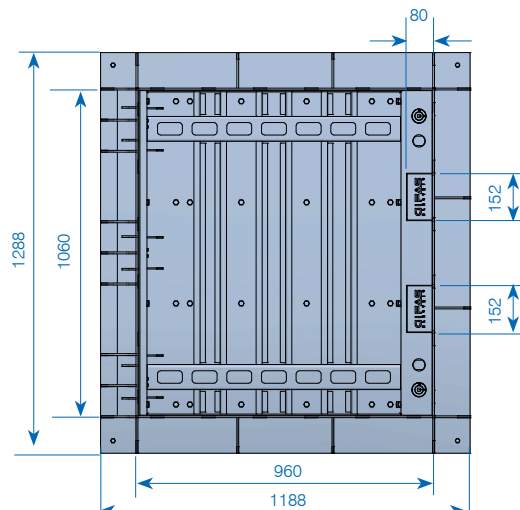
Scope of delivery

The CAMPETTO including electrical distribution box and junction box is supplied fully assembled and pre-wired.

Work to be carried out by the customer

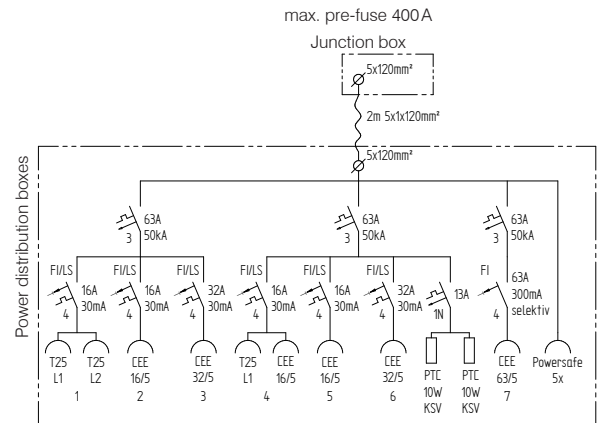
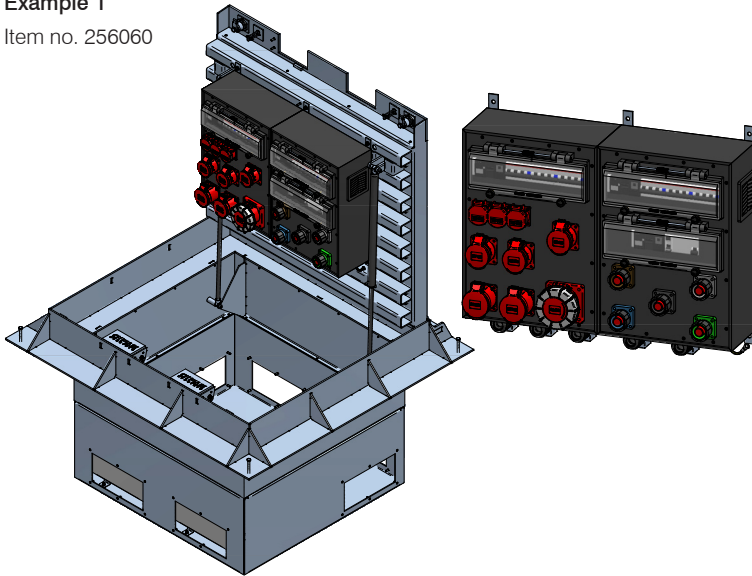
- **The CAMPETTO is not surface water-proof, so adequate drainage must be provided by the customer**
- Excavation work
- Professional installation of the system in compliance with the standards

Applications



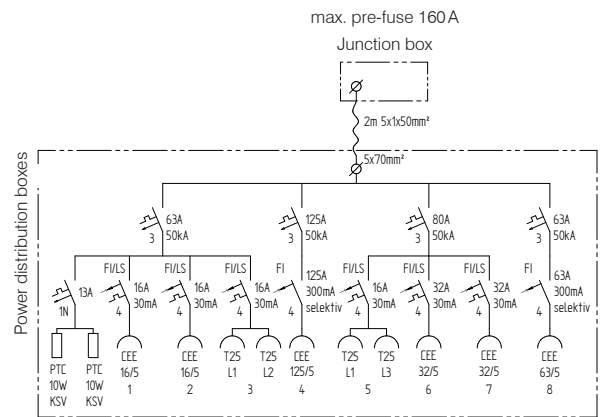
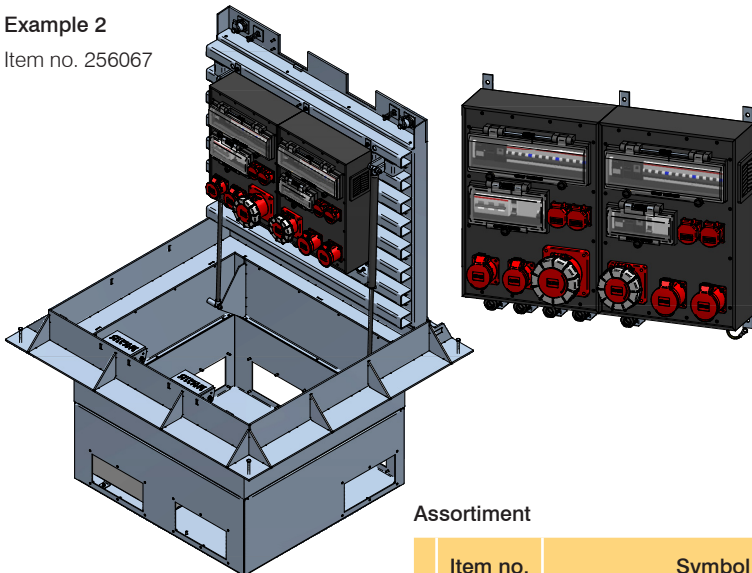
Example 1

Item no. 256060



Example 2

Item no. 256067



Assortiment

Item no.	Symbol output	Output	Line protection / Personal protection
256060		3 × T25 3 × CEE 16/5 2 × CEE 32/5 1 × CEE 63/5 5 × PowerSAFE	max. pre-fuse 400A
256067		4 × T25 2 × CEE 16/5 2 × CEE 32/5 1 × CEE 63/5 1 × CEE 125/5	max. pre-fuse 160A

Accessories

No.	Item no.	Designation
✓ 9	255972	Step protection
✓ 10	224822	CEE63 coupling bracket
✓ 10	224823	CEE125 coupling bracket
✓ 11	209412	Mounting bracket (cable flap / cable protection)
✓ 12	209416	Cable protection (option)

✓ From stock, offer subject to prior sale



PIAZZETTA

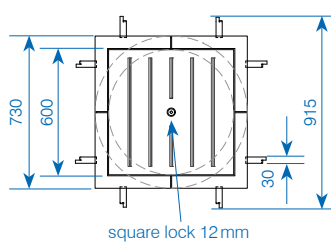
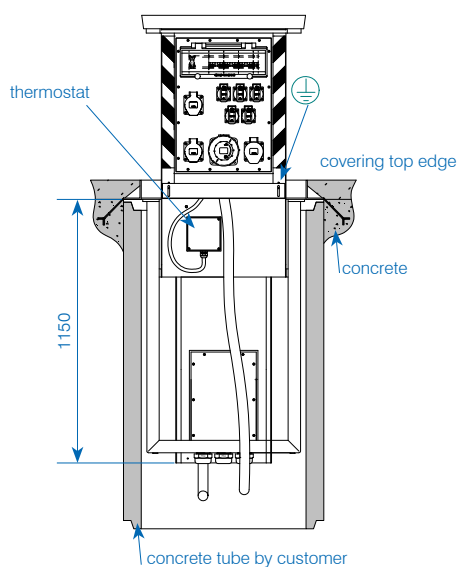
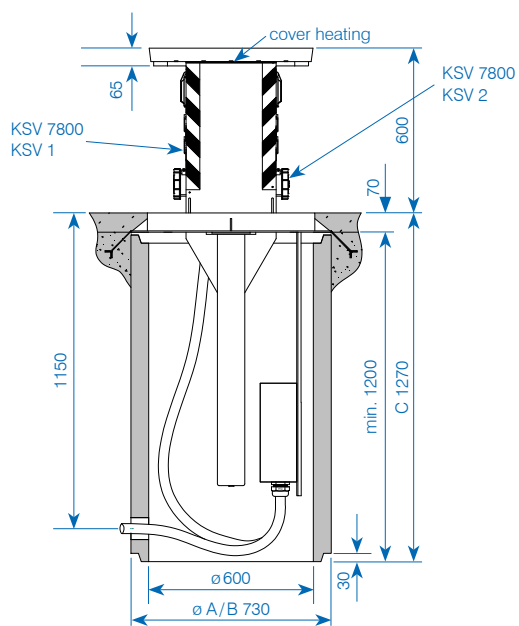
- The PIAZZETTA can be individually fitted on both sides with hard rubber distributor boxes.
- The excavation system with gas springs, guided on slide bearings with A2 steel shafts, permits automatic extension at any time.
- Adjustable step protection plates provide protection against false steps and dirt deposits in the pit when open.
- The connection socket is modified for the connection values and should be placed on a prepared support.
- Standard concrete tube can be used.
- Top frame and pit cover for special GIFAS construction.

Item no.	Designation
012986	PIAZZETTA Lifting device V2A, two-sided for 2×7300/7700
023595	PIAZZETTA Lifting device V2A, one-sided for 7400/7700
079288	PIAZZETTA Lifting device V2A, two-sided for 2×7800/7900
018379	PIAZZETTA Lifting device V2A, one-sided for 7800/7900

Accessories/spare parts	
060122	Top frame/reservoir cover V2A for Type 600, B125 (12.5t)
014205	Top frame/reservoir cover V2A for Type 600, C250 (25t)
014311	Connection set 3020 for Underfloor distributor with clamp web 5×35mm ² , 2×cable glands M40
014313	Connection set 3800 for Underfloor distributor with clamp web 5×70mm ² , 2×cable glands M50
016146	Cover heating approx. 80 W with thermostat 5° C (–20 to +30°)
✓ 013772	Square key 12mm for lifting appliance
027352	Locking mechanism (down and in place condition)

✓ From stock, offer subject to prior sale

Max. load capacity	B125 / 12.5t (125kN) or C250 / 25t (250kN)
Installation depth	min. 1'000 mm
Lid	individually fillable
Dimension cover	individually
Operating mode / cover	open, with step protection plate
Cover heating	on request
Quality	stainless steel V2A
Housing	open at the bottom
Hard rubber distributor (max.)	max. 2× Type 7800/7900
Built-in connector (max.)	5×35 mm ²
Cable outlet	H = 1'000 mm, NW 600 mm
Gas spring	No
GIFAS components included	Yes
GIFAS scope of delivery	The entire lifting device, including distributor box, pit cover which can be filled up and connection socket (fully fitted onto the additional frame) is supplied by GIFAS. The top frame is also included.
Performances to be done by customer (on site / on construction site)	<ul style="list-style-type: none"> – The concrete tube needs to be provided by the customer – The pit cover is not sealed against surface water, which means that sufficient drainage of the pit should be provided by the customer – Excavation work – Correct assembly of the construction (GIFAS components included) conforming to standards must be carried out by the customer. This also applies to filling up the reservoir





MOBILE

A concrete tube with a diameter of 60cm is fitted by the customer. The pit top element supplied by Gifas is placed into the concrete tube in an base edge position. The pit cover and the supports are supplied with the distributor box to fit the pit top part. The pit cover is prepared for filling up as required with paving stones (H = 90mm). The customer is required to install a mains cable through into the concrete tube. If a flexible cable is laid, the coupling can be assembled directly. A junction box should be used for installation with rigid cables or if the power is fed off in a loop.

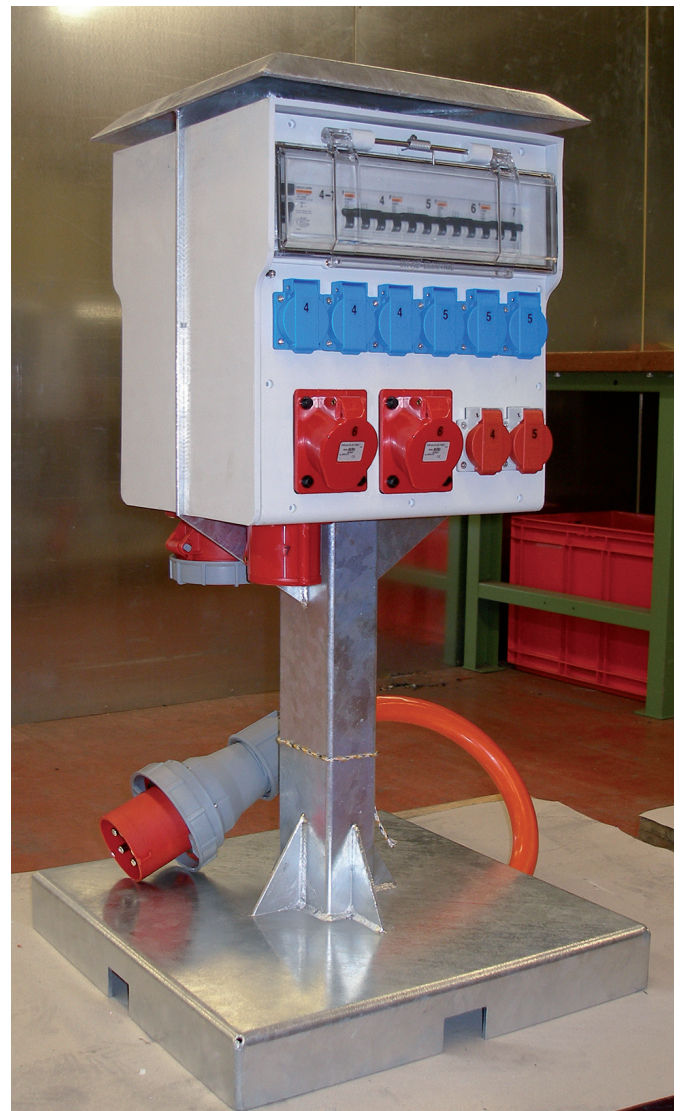
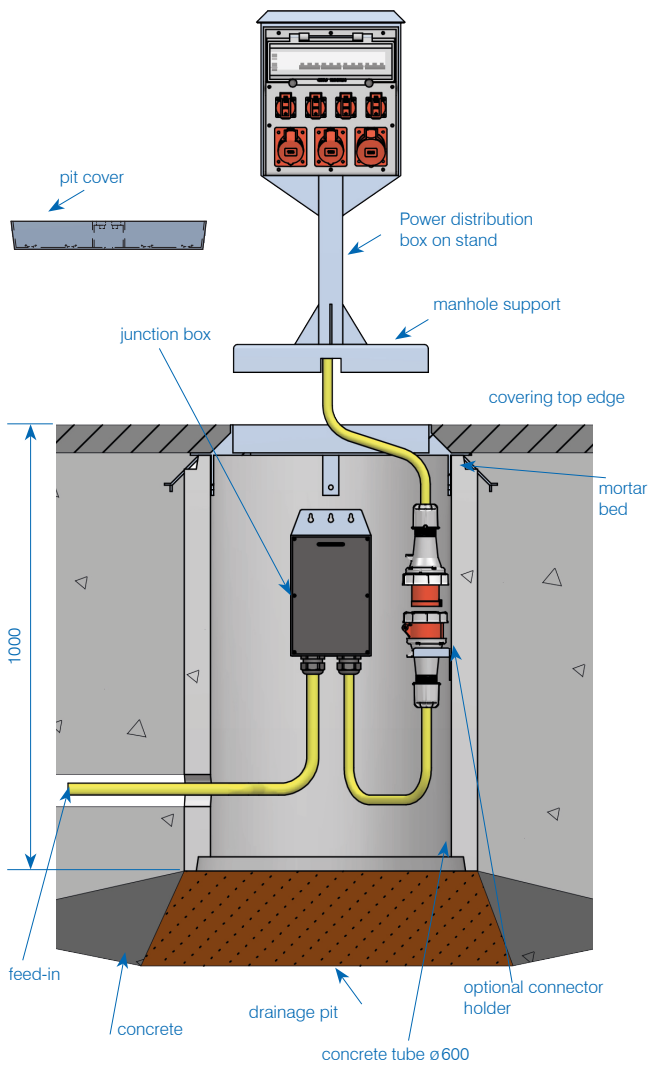
Before an event the pit cover needs to be removed, the plug connected to the coupling in the pit from the distributor box and the distributor box positioned in the pit top element.

Item no.	Designation
023556	MOBILE Top stands V2A, can be fitted on one side with Type 7700, height 900 mm
023361	MOBILE Top stands V2A, can be fitted on both sides with Type 7700, height 900 mm
023352	MOBILE Pit frame V2A, for tube Ø60 mm, inner dimensions: 488×488×70 mm, load capacity B125
023353	MOBILE Pit frame V2A, for tube Ø60 mm, inner dimensions: 488×488×70 mm, load capacity C250
023356	MOBILE Pit cover V2A, can be filled up, consistent with Item no. 023352, outer dimensions: 488×488×70 mm, load capacity B125
023358	MOBILE Pit cover V2A, can be filled up, consistent with Item no. 023353, outer dimensions: 488×488×70 mm, load capacity C250

Accessories/spare parts	
011480	Connection set 2516 for distributor system with clamp web 5×10 mm ² , 2×cable glands M32, CEE 63/5 coupling
033230	Connection set 3020 for distributor system with clamp web 5×35 mm ² , 3×cable glands M40, CEE 63/5 coupling
✓ 020402	A2 fitting for CEE 63/5 coupling
011695	Lid lifter

✓ From stock, offer subject to prior sale

Max. load capacity	B125 / 12.5t (125kN) or C250 / 25t (250kN)
Installation depth	min. 400 mm
Lid	individually
Dimension cover	individually
Operating mode / cover	distributor placed on top
Cover heating	–
Quality	stainless steel V2A
Housing	–
Hard rubber distributor (max.)	2×Type 7700 or max. 2×Type 7900
Built-in connector (max.)	5×35 mm ²
Cable outlet	individually
Gas spring	No
GIFAS scope of delivery	<p>The MOBILE is supplied ready for connection with fitted GIFAS hard rubber distributor box, according to your measurements and component requirements.</p> <p>If required we supply the pit top section and top frame incl. cover to fit base plate, zinc-plated or rust-free ST 37. There is also a connection set with connection socket available, or a connection cable and coupling.</p>
Performances to be done by customer (on site / on construction site)	<ul style="list-style-type: none"> – The pit cover is not sealed against surface water; drainage of the pit should be provided by the customer – Excavation work – The correct assembly of the pit cover conforming to standards must be carried out by the customer – The connection socket is also required to be fitted in the pit by the customer





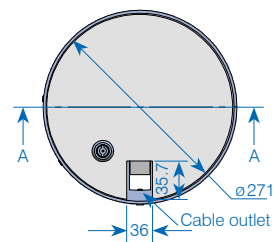
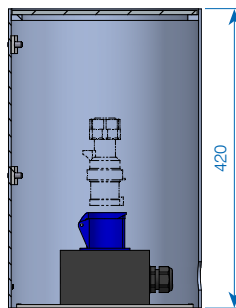
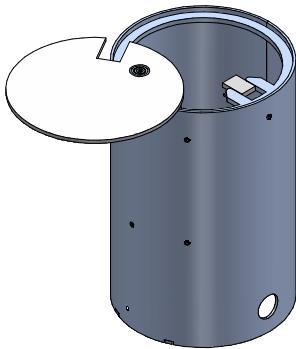
ROTRANT

GIFAS underfloor pit for limited space

- Additional security by «lid system», thus no obstacle through the lid state in open mode
- Simple installation by drilling one hole
- Robust steel construction with dimensions: L×Ø = 420×271 mm, load capacity up to 30kN
- Cover: cover made from V2A stud plate with turning bolt lock and cable exit flap
- Casing material: steel tube ST37 coated against corrosion
- Weight: approx. 19kg

Item no.	Designation
081098	ROTRANT Underfloor distributor complete incl. solid rubber enclosure Type 1212 black; 1×CEE 3/16A 230V IP 67, 1×cable glands M25
✓ 141658	ROTRANT Underfloor distributor empty

Max. load capacity	3t (30kN)
Installation depth	min. 420mm
Lid	chequered plate V2A
Dimensions cover	Ø271 mm
Operating mode / cover	closed*
Cover heating	-
Quality	stainless steel V2A
Housing	open at the bottom
Hard rubber distributor (max.)	Type 1212
Built-in connector (max.)	-
Cable outlet	L×D = 420×271 mm
Cable	Yes
Gas spring	No
GIFAS scope of delivery	The stainless steel construction with pit cover from chequered plate V2A will be assembled and ready for connection.
Performances to be done by customer (on site/on construction site)	<ul style="list-style-type: none"> - Substructure of ROTRANT has to be made along to standards - Proper assembly of the shaft (load 125kN) - The pit cover is not sealed against surface water, which means that sufficient drainage of the pit must be provided by the customer



* These models include a cable exit flap for the outlet of access lines in closed state. Thus these models can be driven or walked over even in plugged mode.

✓ From stock, offer subject to prior sale



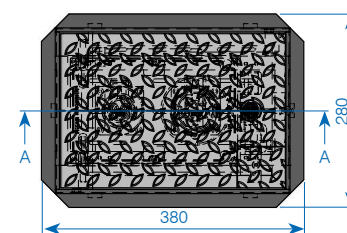
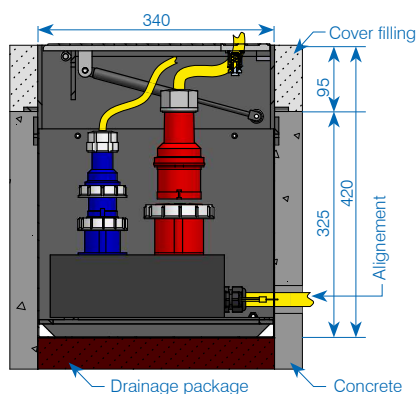
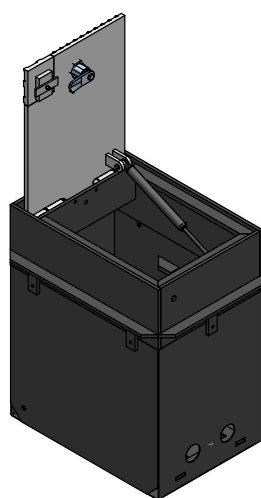
RETRANT

GIFAS underfloor pit for limited space

- High security by GIFAS «double pressure execution»- cover is held securely closed without lock
- Robust steel construction with dimensions:
L×W×D = 380×280×420 mm, load capacity up to 30 kN
- Cover: cover made from V2A stud plate with turning bolt lock and cable exit flap
- Weight: approx. 19 kg

Item no.	Designation
101647	RETRANT Underfloor distributor complete incl. solid rubber enclosure Type 2516 black; 1×CEE 3×16A/230V IP67 1×CEE 5×16A/400V IP67, 1×cable gland M25
✓ 039447	RETRANT Underfloor distributor empty

Max. load capacity	3t (30kN)
Installation depth	min. 420 mm
Lid	chequered plate V2A
Dimensions cover	380×280 mm
Operating mode / cover	closed*1
Cover heating	-
Quality	stainless steel V2A
Housing	closed at the bottom
Hard rubber distributor (max.)	Type 2516
Built-in connector (max.)	-
Cable outlet	L×B×T = 380×280×420 mm
Cable outlet	Yes
Gas spring	Yes
GIFAS scope of delivery	The stainless steel construction with pit cover from chequered plate V2A will be assembled and ready for connection.
Performances to be done by customer (on site/on construction site)	<ul style="list-style-type: none"> - Substructure of RETRANT has to be made along to standards - Proper assembly of the shaft (load 30 kN) - The pit cover is not sealed against surface water, which means that sufficient drainage of the pit must be provided by the customer



*1 These models include a cable exit flap for the outlet of access lines in closed state. Thus these models can be driven or walked over even in plugged mode.



From stock, offer subject to prior sale

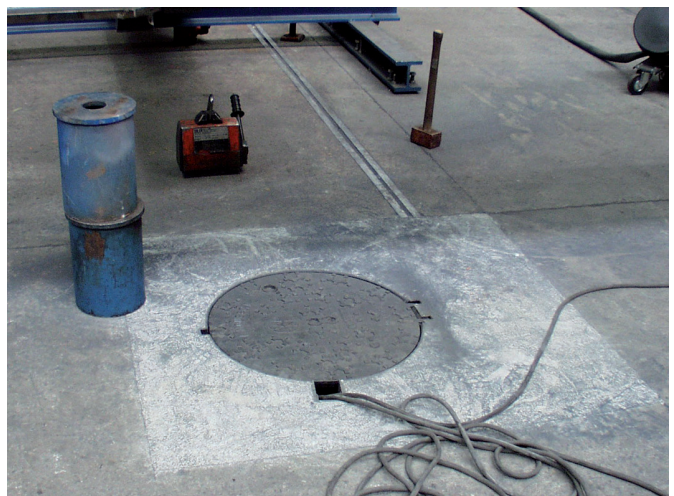
For PIAZZA 700, PIAZZA 1000, ROTRANT, RETRANT

Sash lock	Keys
<p>✓ Item no. 012009: Sash square lock 8 mm</p> 	<p>✓ Item no. 011691: Square lock key 8 mm</p> 
<p>✓ Item no. 058730: Sash triangle lock 8 mm</p> 	<p>✓ Item no. 047659: Triangle lock key 8 mm</p> 
<p>✓ Item no. 013861: Sash lock double-bit 3 mm</p> 	<p>✓ Item no. 011527: Key double-bit 3 mm</p> 
<p>Item no. 035254: Sash lock semicircular 13 mm</p> 	<p>✓ Item no. 035255: Key semicircular 13 mm</p> 
<p>✓ Item no. 056584: Sash square lock 6 mm</p> 	<p>✓ Item no. 011692: Square lock key 6 mm</p> 

✓ From stock, offer subject to prior sale

For CAMPETTO S, M, L, XL, XXL

Sash lock	Keys
<p>✓ Item no. 170432: Sash lock A2 reinforced / Square lock 10mm</p> 	<p>✓ Item no. 173840: Square lock key 4-Kant 10mm</p> 
<p>✓ Item no. 203501: Sash lock A2 reinforced / semicircular 13mm</p> 	<p>✓ Item no. 203503: Key semicircular 13mm</p> 
<p>✓ Item no. 241048: Sash lock A2 reinforced / triangular 11 mm</p> 	<p>✓ Item no. 251737: key triangular 11 mm</p> 





GET IN TOUCH WITH US

News about the assortment and specific solutions
you can find on our website:

www.gifas.ch



GIFAS
ELECTRIC

GIFAS-ELECTRIC GmbH
Dietrichstrasse 2
CH-9424 Rheineck

+41 71 886 44 44
+41 71 886 44 49
info@gifas.ch
www.gifas.ch

We reserve the right to make technical modifications. V 0824